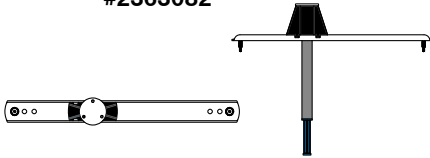




# KCM-MD Long Plate $\frac{1}{4}'' + \frac{3}{8}'' + \frac{1}{2}''$

2371062-11.2024

**20** KWIK CAST  
KCM-MD L  $\frac{1}{4}'' + \frac{3}{8}'' + \frac{1}{2}''$   
BLK-BLU  
#2363082



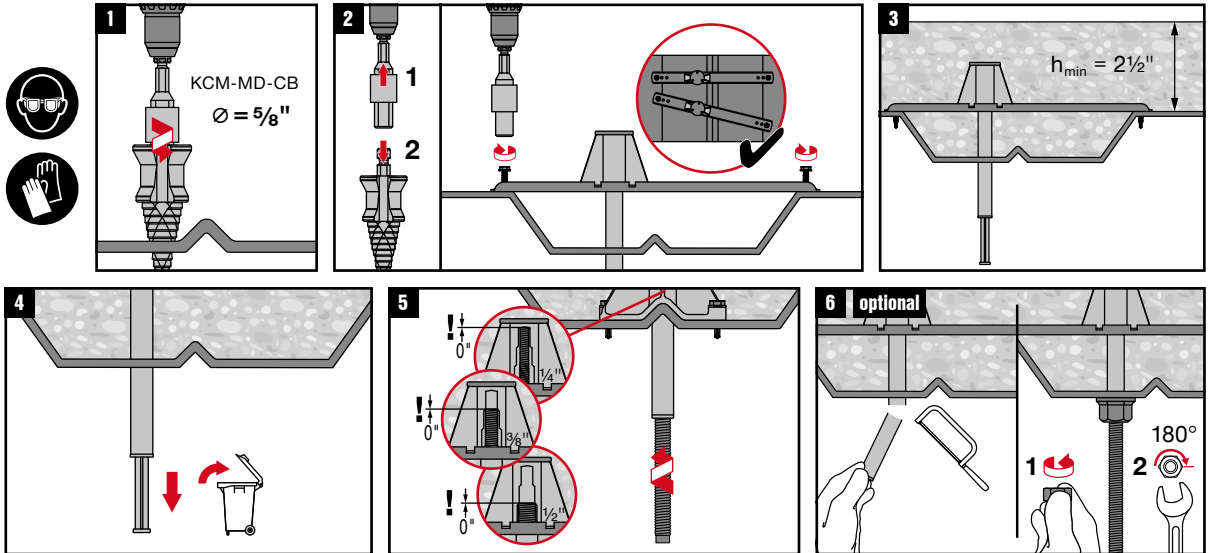
Info | Shop



[qr.hilti.com/2363082](http://qr.hilti.com/2363082)

Batch Tracking  
Information

Made in Taiwan  
Hilti = trademark of Hilti Corp., Schaun, LI



UL Listing does not cover the 1/4-inch rod size. For seismic bracing applications cut tube flush to bottom of metal deck.  
\*Turn threaded rod until bottomed out to ensure full thread engagement.