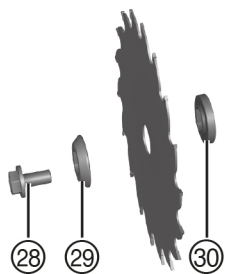
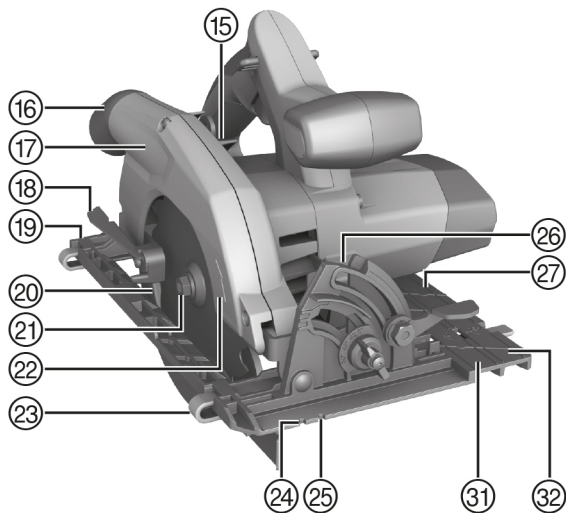
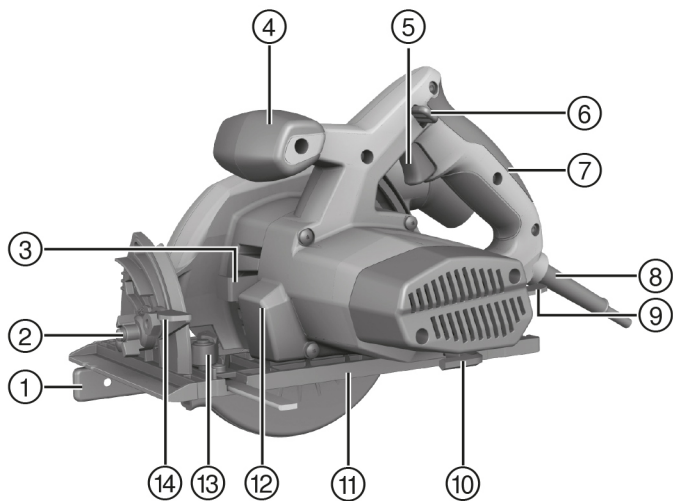


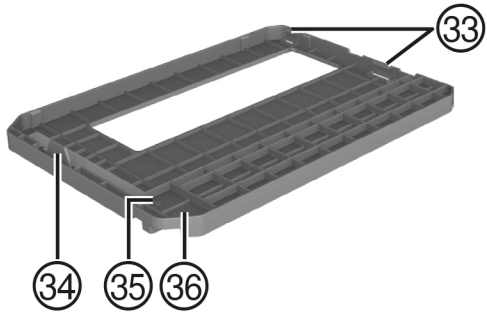


SC 55W

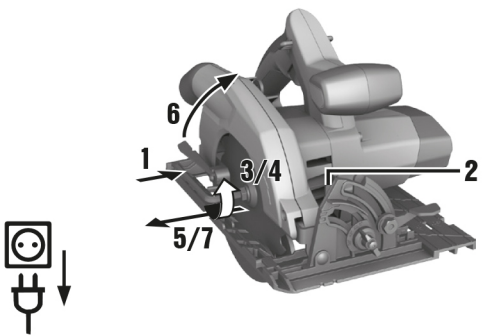
English	1
日本語	11
繁體中文	21



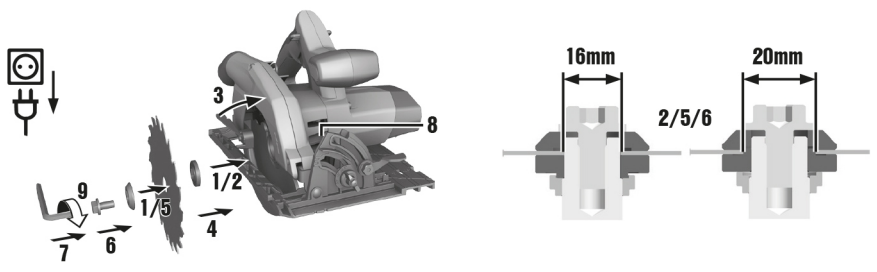
2



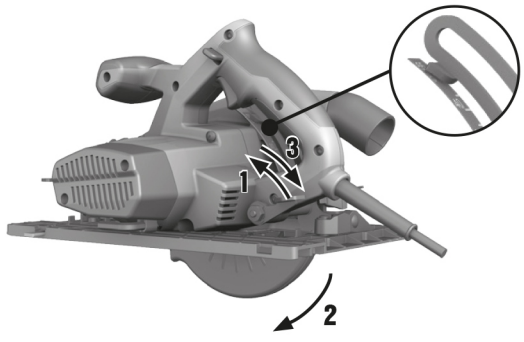
3



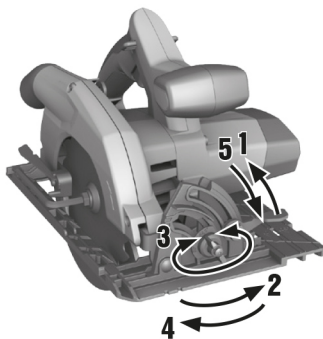
4



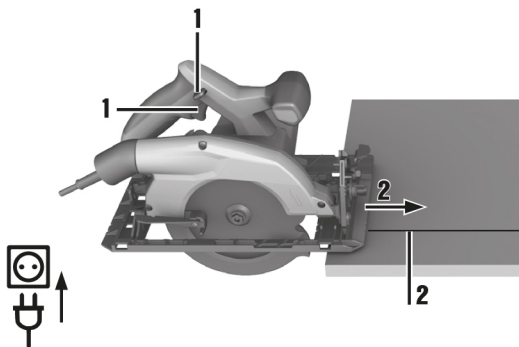
5



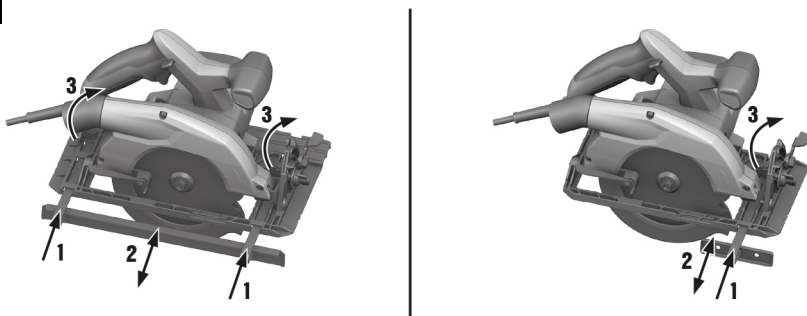
6



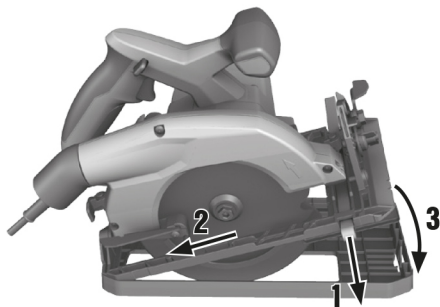
7



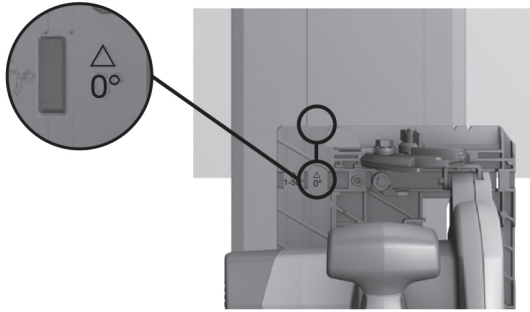
8



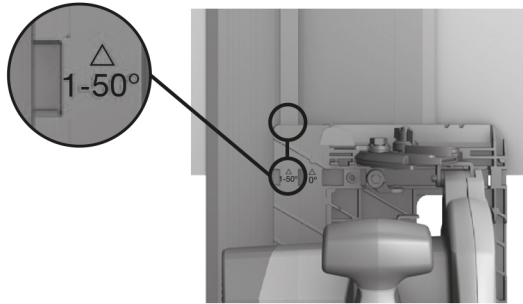
9



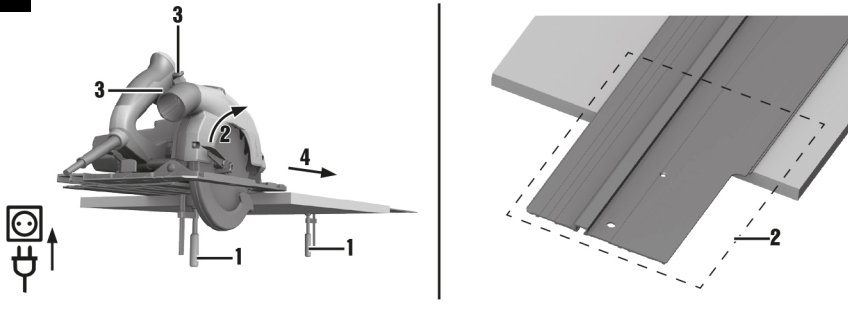
10



11



12



SC 55W

en	Original operating instructions	1
ja	オリジナル取扱説明書	11
zh	原始操作說明	21

Original operating instructions

1 Information about the operating instructions

1.1 About these operating instructions

- **Warning!** Read and understand all accompanying documentation, including but not limited to instructions, safety warnings, illustrations, and specifications provided with this product. Familiarize yourself with all the instructions, safety warnings, illustrations, specifications, components, and functions of the product before use. Failure to do so may result in electric shock, fire, and/or serious injury. Save all warnings and instructions for future reference.
- products are designed for professional users and only trained, authorized personnel are permitted to operate, service and maintain the products. This personnel must be specifically informed about the possible hazards. The product and its ancillary equipment can present hazards if used incorrectly by untrained personnel or if used not in accordance with the intended use.
- The accompanying documentation corresponds to the current state of the art at the time of printing. Please always check for the latest version on the product's page on Hilti's website. To do this, follow the link or scan the QR code in this documentation, marked with the symbol .
- Ensure that these operating instructions are with the product when it is given to other persons.

1.2 Explanation of symbols used

1.2.1 Warnings

Warnings alert persons to hazards that occur when handling or using the product. The following signal words are used:

DANGER

DANGER !

- ▶ Draws attention to imminent danger that will lead to serious personal injury or fatality.

WARNING

WARNING !

- ▶ Draws attention to a potential threat of danger that can lead to serious injury or fatality.

CAUTION

CAUTION !

- ▶ Draws attention to a potentially dangerous situation that could lead to personal injury or damage to the equipment or other property.

1.2.2 Symbols in the documentation

The following symbols are used in this document:

	Read the operating instructions before use.
	Instructions for use and other useful information
	Dealing with recyclable materials
	Do not dispose of electric equipment and batteries as household waste

1.2.3 Symbols in the illustrations

The following symbols are used in illustrations:

	These numbers refer to the corresponding illustrations found at the beginning of these operating instructions
	The numbering reflects the sequence of operations shown in the illustrations and may deviate from the steps described in the text



	Item reference numbers are used in the overview illustrations and refer to the numbers used in the product overview section
	This symbol is intended to draw special attention to certain points when handling the product.

1.3 Product-dependent symbols

1.3.1 Symbols on the product

The following symbols can be used on the product:

	Wireless data transfer
n_0	Rated speed under no load
	Protection class II (double-insulated)
	Saw blade

2 Safety

2.1 General power tool safety warnings

⚠ WARNING Read all safety warnings, instructions, illustrations and specifications provided with this power tool. Failure to follow all instructions listed below may result in electric shock, fire and/or serious injury. **Save all warnings and instructions for future reference.**

The term "power tool" in the warnings refers to your mains-operated (corded) power tool or battery-operated (cordless) power tool.

Work area safety

- ▶ **Keep work area clean and well lit.** Cluttered or dark areas invite accidents.
- ▶ **Do not operate power tools in explosive atmospheres, such as in the presence of flammable liquids, gases or dust.** Power tools create sparks which may ignite the dust or fumes.
- ▶ **Keep children and bystanders away while operating a power tool.** Distractions can cause you to lose control.

Electrical safety

- ▶ **Power tool plugs must match the outlet. Never modify the plug in any way. Do not use any adapter plugs with earthed (grounded) power tools.** Unmodified plugs and matching outlets will reduce risk of electric shock.
- ▶ **Avoid body contact with earthed or grounded surfaces, such as pipes, radiators, ranges and refrigerators.** There is an increased risk of electric shock if your body is earthed or grounded.
- ▶ **Do not expose power tools to rain or wet conditions.** Water entering a power tool will increase the risk of electric shock.
- ▶ **Do not abuse the cord. Never use the cord for carrying, pulling or unplugging the power tool. Keep cord away from heat, oil, sharp edges or moving parts.** Damaged or entangled cords increase the risk of electric shock.
- ▶ **When operating a power tool outdoors, use an extension cord suitable for outdoor use.** Use of a cord suitable for outdoor use reduces the risk of electric shock.
- ▶ **If operating a power tool in a damp location is unavoidable, use a residual current device (RCD) protected supply.** Use of an RCD reduces the risk of electric shock.

Personal safety

- ▶ **Stay alert, watch what you are doing and use common sense when operating a power tool. Do not use a power tool while you are tired or under the influence of drugs, alcohol or medication.** A moment of inattention while operating power tools may result in serious personal injury.
- ▶ **Use personal protective equipment. Always wear eye protection.** Protective equipment such as a dust mask, non-skid safety shoes, hard hat or hearing protection used for appropriate conditions will reduce personal injuries.
- ▶ **Prevent unintentional starting. Ensure the switch is in the off-position before connecting to power source and/or battery pack, picking up or carrying the tool.** Carrying power tools with your finger on the switch or energising power tools that have the switch on invites accidents.



- ▶ **Remove any adjusting key or wrench before turning the power tool on.** A wrench or a key left attached to a rotating part of the power tool may result in personal injury.
- ▶ **Do not overreach. Keep proper footing and balance at all times.** This enables better control of the power tool in unexpected situations.
- ▶ **Dress properly. Do not wear loose clothing or jewellery. Keep your hair and clothing away from moving parts.** Loose clothes, jewellery or long hair can be caught in moving parts.
- ▶ **If devices are provided for the connection of dust extraction and collection facilities, ensure these are connected and properly used.** Use of dust collection can reduce dust-related hazards.
- ▶ **Do not let familiarity gained from frequent use of tools allow you to become complacent and ignore tool safety principles.** A careless action can cause severe injury within a fraction of a second.

Power tool use and care

- ▶ **Do not force the power tool. Use the correct power tool for your application.** The correct power tool will do the job better and safer at the rate for which it was designed.
- ▶ **Do not use the power tool if the switch does not turn it on and off.** Any power tool that cannot be controlled with the switch is dangerous and must be repaired.
- ▶ **Disconnect the plug from the power source and/or remove the battery pack, if detachable, from the power tool before making any adjustments, changing accessories, or storing power tools.** Such preventive safety measures reduce the risk of starting the power tool accidentally.
- ▶ **Store idle power tools out of the reach of children and do not allow persons unfamiliar with the power tool or these instructions to operate the power tool.** Power tools are dangerous in the hands of untrained users.
- ▶ **Maintain power tools and accessories. Check for misalignment or binding of moving parts, breakage of parts and any other condition that may affect the power tool's operation. If damaged, have the power tool repaired before use.** Many accidents are caused by poorly maintained power tools.
- ▶ **Keep cutting tools sharp and clean.** Properly maintained cutting tools with sharp cutting edges are less likely to bind and are easier to control.
- ▶ **Use the power tool, accessories and tool bits etc. in accordance with these instructions, taking into account the working conditions and the work to be performed.** Use of the power tool for operations different from those intended could result in a hazardous situation.
- ▶ **Keep handles and grasping surfaces dry, clean and free from oil and grease.** Slippery handles and grasping surfaces do not allow for safe handling and control of the tool in unexpected situations.

Service

- ▶ **Have your power tool serviced by a qualified repair person using only identical replacement parts.** This will ensure that the safety of the power tool is maintained.

2.2 Safety instructions for all saws

Cutting procedures

- ▶ **⚠ DANGER: Keep hands away from cutting area and the blade. Keep your second hand on auxiliary handle, or motor housing.** If both hands are holding the saw, they cannot be cut by the blade.
- ▶ **Do not reach underneath the workpiece.** The guard cannot protect you from the blade below the workpiece.
- ▶ **Adjust the cutting depth to the thickness of the workpiece.** Less than a full tooth of the blade teeth should be visible below the workpiece.
- ▶ **Never hold the workpiece in your hands or across your leg while cutting. Secure the workpiece to a stable platform.** It is important to support the work properly to minimise body exposure, blade binding, or loss of control.
- ▶ **Hold the power tool by insulated gripping surfaces, when performing an operation where the cutting tool may contact hidden wiring or its own cord.** Contact with a "live" wire will also make exposed metal parts of the power tool "live" and could give the operator an electric shock.
- ▶ **When ripping, always use a rip fence or straight edge guide.** This improves the accuracy of cut and reduces the chance of blade binding.
- ▶ **Always use blades with correct size and shape (diamond versus round) of arbour holes.** Blades that do not match the mounting hardware of the saw will run off-centre, causing loss of control.
- ▶ **Never use damaged or incorrect blade washers or bolt.** The blade washers and bolt were specially designed for your saw, for optimum blade performance and safety of operation.



Kickback causes and related warnings

- Kickback is a sudden reaction to a pinched, jammed or misaligned saw blade, causing an uncontrolled saw to lift up and out of the workpiece toward the operator;
- when the blade is pinched or jammed tightly by the kerf closing down, the blade stalls and the motor reaction drives the unit rapidly back toward the operator;
- if the blade becomes twisted or misaligned in the cut, the teeth at the back edge of the blade can dig into the top surface of the wood causing the blade to climb out of the kerf and jump back toward the operator.

Kickback is the result of saw misuse and/or incorrect operating procedures or conditions and can be avoided by taking proper precautions as given below.

- ▶ **Maintain a firm grip with both hands on the saw and position your arms to resist kickback forces. Position your body to either side of the blade, but not in line with the blade.** Kickback could cause the saw to jump backwards, but kickback forces can be controlled by the operator, if proper precautions are taken.
- ▶ **When blade is binding, or when interrupting a cut for any reason, release the trigger and hold the saw motionless in the material until the blade comes to a complete stop. Never attempt to remove the saw from the work or pull the saw backward while the blade is in motion or kickback may occur.** Investigate and take corrective actions to eliminate the cause of blade binding.
- ▶ **When restarting a saw in the workpiece, centre the saw blade in the kerf so that the saw teeth are not engaged into the material.** If a saw blade binds, it may walk up or kickback from the workpiece as the saw is restarted.
- ▶ **Support large panels to minimise the risk of blade pinching and kickback.** Large panels tend to sag under their own weight. Supports must be placed under the panel on both sides, near the line of cut and near the edge of the panel.
- ▶ **Do not use dull or damaged blades.** Unsharpened or improperly set blades produce narrow kerf causing excessive friction, blade binding and kickback.
- ▶ **Blade depth and bevel adjusting locking levers must be tight and secure before making the cut.** If blade adjustment shifts while cutting, it may cause binding and kickback.
- ▶ **Use extra caution when sawing into existing walls or other blind areas.** The protruding blade may cut objects that can cause kickback.

Lower guard function

- ▶ **Check the lower guard for proper closing before each use. Do not operate the saw if the lower guard does not move freely and close instantly. Never clamp or tie the lower guard into the open position.** If the saw is accidentally dropped, the lower guard may be bent. Raise the lower guard with the retracting handle and make sure it moves freely and does not touch the blade or any other part, in all angles and depths of cut.
- ▶ **Check the operation of the lower guard spring. If the guard and the spring are not operating properly, they must be serviced before use.** Lower guard may operate sluggishly due to damaged parts, gummy deposits, or a build-up of debris.
- ▶ **The lower guard may be retracted manually only for special cuts such as "plunge cuts" and "compound cuts". Raise the lower guard by the retracting handle and as soon as the blade enters the material, the lower guard must be released.** For all other sawing, the lower guard should operate automatically.
- ▶ **Always observe that the lower guard is covering the blade before placing the saw down on bench or floor.** An unprotected, coasting blade will cause the saw to walk backwards, cutting whatever is in its path. Be aware of the time it takes for the blade to stop after switch is released.

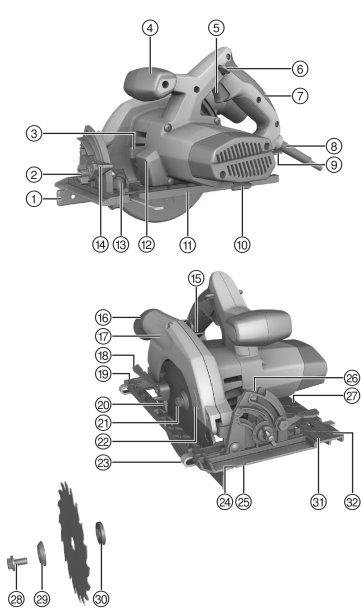
2.3 Additional safety instructions for circular saws

- ▶ Bring the saw blade into contact with the workpiece only when the circular saw is switched on.
 - ▶ The path of the saw must be free of obstructions above and below the workpiece. Do not saw into screws, nails or similar objects.
- ▶ Never work overhead with a circular saw.
- ▶ Never attempt to brake the saw blade by applying lateral pressure.
- ▶ Avoid overheating the tips of the saw blade teeth.
- ▶ When cutting plastic, avoid melting the plastic.
- ▶ Always use a saw blade that is suitable for the material you are going to saw.
- ▶ Use only saw blades recommended by Hilti that comply with the EN 847-1 standard.



3 Description

3.1 Product overview 1



- ① Single-arm fence
- ② Cutting angle setting
- ③ Spindle lock button
- ④ Auxiliary grip
- ⑤ On/off switch
- ⑥ Switch-on interlock release button
- ⑦ Grip
- ⑧ Electric supply cable
- ⑨ Clamping lever for cutting depth adjustment
- ⑩ Hex key
- ⑪ Small base plate
- ⑫ LED illumination
- ⑬ Front clamping lever for the fence
- ⑭ Clamping lever for cutting angle adjustment
- ⑮ Cutting depth scale
- ⑯ Hose connector (vacuum cleaner)
- ⑰ Guard
- ⑱ Pivoting guard operating lever
- ⑲ Rear clamping lever for the fence (only with large base plate)
- ⑳ Pivoting guard
- ㉑ Arbor
- ㉒ Direction-of-rotation arrow
- ㉓ Twin-arm fence
- ㉔ 0° cutting line indicator
- ㉕ 45° cutting line indicator
- ㉖ Cutting angle scale
- ㉗ Large base plate
- ㉘ Clamping screw
- ㉙ Clamping flange
- ㉚ Mounting flange
- ㉛ 0° indicator on the base plate
- ㉜ 1° - 50° indicator on the base plate

3.2 Overview of the guide rail adapter 2

- ③③ Rear retaining lug
- ③④ Front retaining lug
- ③⑤ 0° indicator
- ③⑥ 1° - 50° indicator

3.3 Intended use

The product described is a circular saw. It is designed for cutting wood or wood-like materials, plastics, gypsum plasterboard, gypsum fiberboard and composite materials, up to a cutting depth of 55 mm, and for miter cuts at angles up to 50°.

3.3.1 Possible misuse

Do not use saw blades not compliant with the technical data and do not use cutting discs, abrasive wheels or saw blades made of highly alloyed high speed steel (HSS steel). Do not use this power tool to saw metal.

3.4 Items supplied

Circular saw, saw blade, hex key, rip fence, operating instructions.



i To help ensure safe and reliable operation, use only genuine Hilti spare parts and consumables. Spare parts, consumables and accessories approved by Hilti for use with the product can be found at your local **Hilti Store** or online at: www.hilti.group

4 Technical data

4.1 Technical data

i For details of the rated voltage, frequency, current and input power, refer to the country-specific type identification plate.

If the device is powered by a generator or transformer, the generator or transformer's power output must be at least twice the rated input power shown on the rating plate of the device. The operating voltage of the transformer or generator must always be within +5 % and -15 % of the rated voltage of the device.

Product generation	01
Weight, small base plate	4.5 kg
Weight, large base plate	4.7 kg
Saw blade diameter	160 mm ... 165 mm
Saw blade disc thickness	1.1 mm ... 1.5 mm
Saw blade arbor size	20 mm
Cutting depth at 0°	0 mm ... 55 mm
Cutting depth at 45°	0 mm ... 41 mm
Cutting depth at 50°	0 mm ... 37 mm
No-load speed	5,500 /min

4.2 Noise information and vibration values

The sound pressure and vibration values given in these instructions were measured in accordance with a standardized test and can be used to compare one power tool with another. They can also be used for a preliminary assessment of exposure.

The data given represent the main applications of the power tool. However, if the power tool is used for different applications, with different accessory tools, or is poorly maintained, the data can vary. This can significantly increase exposure over the total working period.

An accurate estimation of exposure should also take into account the times when the power tool is switched off, or when it is running but not actually being used for a job. This can significantly reduce exposure over the total working period.

Identify additional safety measures to protect the operator from the effects of noise and/or vibration, for example: maintaining the power tool and accessory tools, keeping the hands warm, organization of work patterns.

i Detailed information on the versions of the **EN 62841** standards applied here is to be found in the reproduction of the declaration of conformity 32.

Noise information

Sound power level (L_{WA})	99 dB(A)
Uncertainty for the sound power level (K_{WA})	3 dB(A)
Sound pressure level (L_{pA})	91 dB(A)
Uncertainty for the sound pressure level (K_{pA})	3 dB(A)

Vibration information

	230 V	110 V
Triaxial vibration value when cutting wood (a_{h1})	1.77 m/s ² (5.81 ft/s ²)	2.12 m/s ² (6.96 ft/s ²)
Uncertainty (K)	1.5 m/s ²	1.5 m/s ²



5 Operation

5.1 Removing the saw blade

WARNING

Risk of burns and cut injuries at saw blade, clamping screw and clamping flange The consequences can be burns and cut injuries.

- ▶ Wear protective gloves when changing saw blades.

1. Disconnect the supply cord plug from the power outlet.
2. Insert the hex key into the saw blade securing screw.
3. Press the drive spindle lock button and hold it in this position.
4. Turn the saw blade clamping screw with the hex key until the spindle lock button engages fully.
5. Release the clamping screw by turning the hex key in the direction of the direction-of-rotation arrow.
6. Remove the clamping screw from the outer clamping flange.
7. Open the pivoting guard by swinging it to the side and then remove the saw blade.



If necessary, the mounting flange can be removed for cleaning.

5.2 Install saw blade

CAUTION

Risk of damage! Unsuitable or incorrectly fitted saw blades may damage the saw.

- ▶ Only use blades which are suitable for this saw. Observe the direction-of-rotation arrow on the saw blade.
- ▶ Use only saw blades equipped with a rated maximum permissible speed that is at least as high as the maximum speed stated on the product.

1. Disconnect the supply cord plug from the power outlet.
2. Clean the mounting flange and the clamping flange.
3. Fit the outer clamping flange the right way round (i.e. facing the right direction).
4. Open the pivoting guard.
5. Fit the new saw blade.
6. Install the outer clamping flange the right way round.
7. Insert the clamping screw.
8. Insert the hex key into the saw blade clamping screw.
9. Secure the clamping flange with the clamping screw by turning it clockwise. At the same time, use one hand to hold down the arbor lock button.
10. Before using the power tool, check that the saw blade is correctly seated and tightened securely.

5.3 Adjusting the cutting depth

1. Disconnect the supply cord plug from the power outlet.
2. Release the cutting depth adjustment clamping lever.
3. Lift the circular saw in a scissoring movement and set the cutting depth.
 - ▶ The cutting depth is shown on the cutting depth scale.



For a clean-edged cut, set cutting depth to the thickness of the material plus 2 mm.

4. Secure the cutting depth adjustment clamping lever.

5.4 Setting the miter cut angle

1. Disconnect the supply cord plug from the power outlet.
2. Release the cutting angle adjustment clamping lever.
3. Pivot the base plate to the desired miter cut angle.
 - ▶ The miter cutting angle is shown on the miter cut angle scale.
4. Tighten the cutting angle adjustment clamping lever.



5.5 Cutting line indicator

At the front edge of the base plate of the circular saw is a line indicator for straight cuts and miter cuts (0° and 45°). This permits accurate cutting at the desired miter angle. The edge of the line indicator corresponds to the inside of the saw blade. There is a cutting line indicator at the opening for the saw blade at the front end of the base plate.

5.5.1 Sawing along a line



Secure the workpiece to prevent movement.

Position the workpiece so that the saw blade is free to rotate beneath it.

Check that the on/off switch on the product is in the “off” position.

Position the forward section of the circular saw’s base plate on the workpiece but do not bring the blade into contact with the workpiece.

1. Switch on the circular saw.
2. Guide the circular saw along the cutting line on the workpiece at a suitable speed.

5.6 Sawing with the fence

The single-arm fence can be used to make accurate cuts along the edge of a workpiece or to rip strips of equal width. The fence can be fitted on either side of the base plate.

The twin-arm fence can be used only with the large base plate

When installing the fence, make sure that it is installed right way round.

5.7 Sawing with the guide rail.

Sawing with the guide rail can reduce the risk of kickback.

5.7.1 Inserting into / removing from the guide rail adapter



When using saws with a small base plate, please use a guide rail adapter that fits the guide rail.

1. Remove the fence, if one is fitted.
2. Fit the base plate into the rear retaining lugs of the guide rail adapter.
3. Bring the front edge of the base plate down fully into the guide rail adapter. The base plate must engage fully with the front retaining lug.
4. To remove, pull the front retaining lug forward slightly and remove the circular saw from the guide rail adapter.

5.7.2 Longitudinal cuts at 0°

- ▶ Place the circular saw on the guide rail with the groove marked “0°” on the rib on the rail.

5.7.3 Longitudinal cuts at angles up to 50°

CAUTION

Risk of damage If the saw is engaged in the wrong groove, the saw blade will collide with the guide rail.

- ▶ Place the saw in the correct groove.

- ▶ Place the saw on the guide rail with the groove marked “1°- 50°” on the rib on the rail.

5.7.4 Using the saw on the guide rail

1. Secure the guide rail from below with two screw clamps.
2. Position the circular saw on the guide rail a short distance from the starting point of the cut. Open the guard manually when making longitudinal cuts (ripping) at cutting angles of 20°- 50°.



The saw must be placed on the guide rail behind the workpiece.

Take care to ensure that the saw blade is not in contact with the workpiece.


3. Switch on the circular saw.



4. Push the saw at a steady speed across the workpiece.
 - ▶ At cutting angles under 20° the pivoting guard opens automatically when it makes contact with the lateral actuating edge.
 - ▶ It closes again automatically when the saw leaves the end of the guide rail.

5.8 Sawing with or without sawdust extraction

The circular saw has a connector that fits common types of vacuum cleaner hose with a diameter of 27 mm. A suitable adapter might be required for connecting the vacuum-cleaner hose to the circular saw. If possible, always use a suitable mobile dust removal system for wood and wood and mineral materials. If you are working without a sawdust extractor, turn the ejector so that the sawdust is directed away from you.

 Always use a filter class P2 dust mask and always ensure adequate ventilation to help minimize exposure to dust.

6 Care and maintenance

6.1 Care and maintenance

WARNING

Electric shock hazard! Attempting care and maintenance with the supply cord connected to a power outlet can lead to severe injury and burns.

- ▶ Always unplug the supply cord before carrying out care and maintenance tasks.

Care


- Carefully remove stubborn dirt from the tool.
- Clean the air vents carefully with a dry brush.
- Use only a slightly damp cloth to clean the casing. Do not use cleaning agents containing silicone as they can attack the plastic parts.

Maintenance

WARNING

Danger of electric shock! Improper repairs to electrical components may lead to serious injuries including burns.

- ▶ Repairs to the electrical section of the tool or appliance may be carried out only by trained electrical specialists.
- Check all visible parts and controls for signs of damage at regular intervals and make sure that they all function correctly.
- Do not operate the product if signs of damage are found or if parts malfunction. Have it repaired immediately by **Hilti Service**.
- After cleaning and maintenance, fit all guards or protective devices and check that they function correctly.


 To help ensure safe and reliable operation, use only genuine Hilti spare parts and consumables. Spare parts, consumables and accessories approved by Hilti for use with the product can be found at your local **Hilti Store** or online at: www.hilti.group.

6.2 Checks after cleaning and maintenance

 After cleaning or maintenance, check that all safety devices are fitted and that they function faultlessly.

- ▶ To check the pivoting guard, open the guard fully by moving the guard operating lever.
 - ▶ The pivoting guard must close quickly and completely when the guard operating lever is released.

6.3 Cleaning the ejector

 The saw blade must be removed during cleaning if necessary.



1. Disconnect the supply cord plug from the power outlet.
2. Remove the saw blade. 7
3. Clean the ejector.
4. Install the saw blade. 7
5. Check that moving parts are in full working order and do not jam and make sure there are no parts that are broken or damaged in such a way as to impair operation of the power tool.

6.4 Cleaning the guard

1. Remove the saw blade. 7
2. Clean the parts of the guard carefully with a dry brush.
3. Use a suitable tool to remove deposits or cuttings from the inside surfaces of the parts of the guard.
4. Install the saw blade. 7

7 Troubleshooting

Trouble or fault	Possible cause	Action to be taken
The power tool does not develop full power.	The extension cord is too long or its gauge is inadequate.	▶ Use an extension cord of an approved length and/or of adequate gauge.
	The voltage provided by the electric supply is too low.	▶ Connect the power tool to a different electric supply.
The power tool does not work.	Interruption in the electric supply.	▶ Plug in another power tool or appliance and check whether it works.
	The supply cord or plug is defective.	▶ Have the power cord or the plug checked by a trained electrical specialist, and if necessary replaced by Hilti service.
	The on / off switch is defective.	▶ Have the product repaired by Hilti Service.
	The carbon brushes are worn.	▶ Have the product repaired by Hilti Service.
No suction power or reduced suction power	The chip ejector channel is blocked.	▶ Clean the ejector. 9
The pivoting guard does not close.	Safety device is clogged.	▶ Clean the guard. 10
The power tool vibrates more than usual.	The saw blade is fitted incorrectly.	▶ Remove the saw blade and install it again correctly.

8 Disposal

Most of the materials from which **Hilti** tools and appliances are manufactured can be recycled. The materials must be correctly separated before they can be recycled. In many countries, your old tools, machines or appliances can be returned to **Hilti** for recycling. Ask **Hilti** Service or your Hilti representative for further information.



- ▶ Do not dispose of power tools, electronic equipment or batteries as household waste!

9 RoHS (Restriction of Hazardous Substances)

Click on the link to go to the table of hazardous substances: qr.hilti.com/r2937786.

There is a link to the RoHS table, in the form of a QR code, at the end of this document.



10 Manufacturer's warranty

- ▶ Please contact your local **Hilti** representative if you have questions about the warranty conditions.

オリジナル取扱説明書

1 取扱説明書について

1.1 本取扱説明書について

- **警告事項！** 本製品をご使用になる前に、同梱の取扱説明書と指示事項、安全上の注意、警告表示、図および製品仕様を読んで、その内容を理解を理解してください。特に、すべての指示事項、安全上の注意、警告表示、図、製品仕様、構成部品と機能に精通しているようにしてください。これを怠ると、感電、火災、および / または重傷事故の危険があります。後日確認できるように、取扱説明書とすべての指示事項、安全上の注意、警告表示を保管しておいてください。
- **HILTI** 製品はプロ仕様で製作されており、その使用、保守、修理を行うのは、認定を受けトレーニングされた人のみに限ります。これらの人は、遭遇し得る危険に関する情報を入手していなければなりません。製品およびアクセサリーの使用法を知らない者による誤使用、あるいは規定外の使用は危険です。
- 製品に同梱されている取扱説明書は、印刷の時点で最新の技術状況を反映しています。オンラインの Hilti 製品ページで常に最新バージョンをご確認ください。これについては、本取扱説明書のリンク、または QR コード (📄 の記号) に従ってください。
- 他の人が使用する場合には、本製品とともにこの取扱説明書を一緒にお渡しください。

1.2 記号の説明

1.2.1 警告表示

警告表示は製品の取扱いにおける危険について警告するものです。以下の注意喚起語が使用されています：

危険

危険！

- ▶ この表記は、重傷あるいは死亡事故につながる危険性がある場合に注意を促すために使われます。

警告

警告！

- ▶ この表記は、重傷あるいは死亡事故につながる可能性がある場合に注意を促すために使われます。





注意

注意！

- ▶ この表記は、身体の負傷あるいは物財の損傷が発生する可能性がある場合に使われます。

1.2.2 本書の記号

本書では、以下の記号が使用されています：

	使用前に取扱説明書をお読みください
	本製品を効率良く取り扱うための注意事項や役に立つ情報
	リサイクル可能な部品の取扱い
	工具およびバッテリーを一般ゴミとして廃棄してはなりません

1.2.3 図中の記号

図中では以下の記号が使用されています：

2	この数字は本取扱説明書冒頭にある該当図を示しています
----------	----------------------------



3	付番は図中の作業手順の順序に対応していて、本文の作業手順とは一致しない場合があります
⑪	概要図には項目番号が付されていて、製品概要セクションの凡例の番号に対応しています
	この記号は、製品の取扱いの際に特に注意が必要なことを示しています。

1.3 製品により異なる記号

1.3.1 製品に表示されている記号

製品には以下の記号が使用されることがあります：

	無線データ転送
n_0	無負荷回転数
	電気絶縁保護クラス II (二重絶縁)
	ソーブレード

2 安全

2.1 電動工具の一般安全注意事項

⚠ 警告事項 本電動工具に付属のすべての安全上の注意、指示事項、図、および製品仕様をお読みください。以下の指示を守らないと、感電、火災および / または重傷事故の危険があります。

安全上の注意および指示事項が書かれた説明書はすべて大切に保管してください。

安全上の注意で使用する用語「電動工具」とは、お手持ちの電動ツール(電源コード使用)またはバッテリーツール(コードレス)を指します。

作業環境に関する安全

- ▶ 作業場はきれいに保ち、十分に明るくしてください。ちらかった暗い場所での作業は事故の原因となります。
- ▶ 爆発の危険性のある環境(可燃性液体、ガスおよび粉じんのある場所)では電動工具を使用しないでください。電動工具から火花が飛散し、粉じんや揮発性ガスに引火する恐れがあります。
- ▶ 電動工具の使用時、子供や無関係者を作業場へ近づけないでください。作業中に気がそらされると、本体のコントロールを失ってしまう恐れがあります。

電気に関する安全注意事項

- ▶ 電動工具の接続プラグは電源コンセントにきちんと適合しなければなりません。プラグは絶対に変更しないでください。保護接地した電動工具と一緒にアダプタープラグを使用しないでください。オリジナルのプラグと適切なコンセントを使用することにより、感電の危険を小さくすることができます。
- ▶ パイプ、ラジエーター、電子レンジ、冷蔵庫などのアースされた面に体の一部が触れないようにしてください。体が触れると感電の危険が大きくなります。
- ▶ 電動工具を雨や湿気から保護してください。電動工具に水が浸入すると、感電の危険が大きくなります。
- ▶ 電動工具を持ち運んだり、吊り下げたり、コンセントからプラグを抜いたりするときは、必ず本体を持ち、電源コードを持ったり引っ張ったりしないでください。電源コードを火気、オイル、鋭利な刃物、可動部等に触れる場所に置かないでください。電源コードが損傷したり絡まったりしていると、感電の危険が大きくなります。
- ▶ 屋外工事の場合には、必ず屋外専用の延長コードを使用してください。屋外専用の延長コードを使用すると、感電の危険が小さくなります。
- ▶ 湿った場所で電動工具を動作させる必要がある場合は、漏電遮断器を使用してください。漏電遮断器を使用すると、感電の危険が小さくなります。

作業者に関する安全

- ▶ 電動工具を使用の際には、油断せずに十分注意し、常識をもった作業をおこなってください。疲れている場合、薬物、医薬品服用およびアルコール飲用による影響下にある場合には電動工具を使用しないでください。電動工具使用中の一瞬の不注意が重傷の原因となることがあります。
- ▶ 個人用保護具および保護メガネを常に着用してください。負傷の危険を低減するために、電動工具の使用状況に応じた粉じんマスク、耐滑性の安全靴、ヘルメット、耳栓などの個人用保護具を着用してください。



- ▶ 電動工具の意図しない始動を防止して下さい。電動工具を電源および / またはバッテリーに接続する前や本体を持ち上げたり運んだりする前に、本体がオフになっていることを必ず確認してください。オン / オフスイッチが入っている状態で電動工具のスイッチに指を掛けたまま運んだり、電源に接続したりすると、事故の原因となる恐れがあります。
- ▶ 電動工具のスイッチを入れる前に、必ず調節キーやレンチを取り外してください。調節キーやレンチが本体の回転部に装着されたままでは、けがの原因となる恐れがあります。
- ▶ 作業中は不安定な姿勢をとらないでください。足元を安定させ、常にバランスを保つようにしてください。これにより、万一電動工具が異常状況に陥った場合にも、適切な対応が可能となります。
- ▶ 作業に適した作業着を着用してください。だぶだぶの衣服や装身具を着用しないでください。髪、衣服、手袋を本体の可動部に近づけないでください。だぶだぶの衣服、装身具、長い髪が可動部に巻き込まれる恐れがあります。
- ▶ 吸じんシステムの接続が可能な場合には、これらのシステムが適切に接続、使用されていることを確認してください。吸じんシステムを利用することにより、粉じん公害を防げます。
- ▶ 電動工具の取扱いに熟練している場合にも、正しい安全対策を遵守し、電動工具に関する安全規則を無視しないでください。不注意な取扱いは、ほんの一瞬で重傷事故を招くことがあります。

電動工具の使用および取扱

- ▶ 無理のある使用を避けてください。作業用途に適した電動工具を使用してください。適切な電動工具の使用により、能率よく、スムーズかつ安全な作業が行えます。
- ▶ スwitchが故障している場合には、電動工具を使用しないでください。スイッチで始動および停止操作のできない電動工具は危険ですので、修理が必要です。
- ▶ 本体の設定やアクセサリーの交換を行う前や本体を保管する前には電源プラグをコンセントから抜き、および / または脱着式のバッテリーを取り外してください。この安全処置により、電動工具の意図しない始動を防止することができます。
- ▶ 電動工具をご使用にならない場合には、子供の手の届かない場所に保管してください。電動工具に関する知識のない方、本説明書をお読みでない方による本体のご使用は避けてください。未経験者による電動工具の使用は危険です。
- ▶ 電動工具とアクセサリーは慎重に手入れしてください。可動部分が引っ掛かりなく正常に作動しているか、電動工具の運転に影響を及ぼす各部分が破損・損傷していないかを確認してください。電動工具をご使用になる前に、損傷部分の修理を依頼してください。事故の多くは保守管理の不十分な電動工具の使用が原因となっています。
- ▶ 先端工具は鋭利で汚れない状態を保ってください。お手入れのゆきとどいた先端工具を使用すると、作業が簡単かつ、スムーズになります。
- ▶ 電動工具、アクセサリー、先端工具などは、それらの説明書に記載されている指示に従って使用してください。その際は、作業環境および用途についてもご注意ください。指定された用途以外に電動工具を使用すると危険な状況をまねく恐れがあります。
- ▶ グリップとグリップ面は乾燥した清潔な状態に保ち、オイルやグリスの付着がないようにしてください。グリップやグリップ面が滑りやすい状態になっていると、予期していない状況が発生した際に電動工具を安全に使用 / 制御できません。

サービス

- ▶ 電動工具の修理は必ず認定サービスセンターにお申し付けください。また、必ず純正部品を使用してください。これにより電動工具の安全性が確実に維持されます。

2.2 すべてのソーに対する安全上の注意

切断作業

- ▶ **▲ 危険：切断領域やソーブレード付近に手を差し出さないでください。**片方の手で補助グリップまたはモーターハウジングを保持してください。両手でソーを保持すれば、ソーブレードで手を負傷することはありません。
- ▶ 作業材料の下側をつかまなくてください。保護カバーは、作業材料の下側に出るソーブレードから手を保護することはできません。
- ▶ 切り込み深さを作業材料の厚さに合わせてください。作業材料の下に出る部分を歯の全高より小さくしてください。
- ▶ 切断する作業材料を手や足で支えないでください。作業材料は安定した支持具に固定してください。身体の一部が触れたり、ソーブレードが噛んだり、制御不能に陥ったりする危険を最小限に抑えるため、作業材料を正しく固定することは重要です。
- ▶ 隠れた電線や装置自体の電源コードに先端工具が接触する可能性のある作業を行う場合は、必ず電動工具の絶縁されたグリップのみを持つようにしてください。通電しているケーブルと接触すると、電動工具の金属部分にも電圧がかかり感電の危険があります。
- ▶ 縦切断の際には必ずストッパーまたはストレートエッジガイドを使用してください。これにより切断精度を高め、ソーブレードが噛む可能性を低減することができます。



- ▶ 常に適切な取り付け穴(星形または丸形など)の付いた正しいサイズのソーブレードを使用してください。ソーの取り付け部に合っていないソーブレードを使用すると、回転が不安定になったり、制御不能になったりする恐れがあります。
- ▶ ソーブレードワッシャー / スクリューが損傷していたり、適切でない場合、決してこれらを使用しないでください。ソーブレードワッシャー / スクリューは、最適な出力と作動安全性を確保するためにご使用のソー専用で製造されたものです。

反動 - 原因とそれに対する安全上の注意

- 反動は、ソーブレードが引っかかったり噛んだりしたときや、ソーブレードが正しく設置されていないときに起こる突然の反応動作で、制御不能になったソーが作業材料から浮き上がって作業者に向かって跳ね返ることがあります。
- ソーブレードが閉じたカットギャップで引っかかったり噛んだりすると、ソーブレードがブロックされ、モーター力でソーが作業者の方向に跳ね返ります。
- ソーブレードが切断時にずれたり正しく配置されていないと、後部のソーブレードエッジの歯が作業材料の表面に引っかかり、ソーブレードがカットギャップから外れて作業者の方に跳ね返ることがあります。

ソーの取り扱いが正しくないと、反動が生じます。反動は、以下に示すような適切な予防措置を取ることで防止することができます。

- ▶ ソーは両手でしっかりと支え、反力を受け止めることができるように腕を構えます。ソーブレードは必ず側部をつかみ、決してソーブレードが身体のすぐ前にくることのないようにしてください。反動がある場合、サーキュラーソーは後方に跳ね返ることがありますが、適切な予防措置を講じていれば反力を抑えることができます。
- ▶ ソーブレードが噛んだ場合あるいは作業を中断する場合は、ソーをオフにしてソーブレードが停止するまでソーを静かに作業材料内に保持してください。ソーブレードが動いている間は、ソーを作業材料から離したり後方へ引いたりしないでください。そうしないと反動が発生する危険があります。ソーブレードが噛んでしまったことの原因を確認し、それを取り除いてください。
- ▶ 作業材料に挿入されているソーを再び作動させる場合は、ソーブレードをカットギャップの中央に配置し、歯が作業材料に引っかかっていないかチェックします。ソーブレードが噛んでいると、切断を再開したときにソーブレードが作業材料から飛び出たり、反動が発生する可能性があります。
- ▶ 噛んだソーブレードによる反動の危険を最小限に抑えるために、大型プレートは支持してください。大型プレートはそれ自身の重みでたわむことがあります。プレートは、カットギャップ付近と縁部の両側で支える必要があります。
- ▶ 切れ味の悪くなったソーブレードや損傷したソーブレードは使用しないでください。ソーブレードの歯の切れ味が悪い場合やソーブレードが正しく合っていない場合、カットギャップが狭くなりすぎて、摩擦が大きくなったり、ソーブレードの噛みや反動が起こります。
- ▶ 切断の前に、切り込み調整および切り込み角度の調整を締め付けてください。切断中に調整が変化すると、ソーブレードが噛んだり反動が発生する可能性があります。
- ▶ 既存の壁やその他の見通しのきかない領域で切断を行う場合は特に注意してください。切断時に、押し込まれたソーブレードが隠れている対象物にブロックされ、跳ね返る可能性があります。

下部保護カバーの機能

- ▶ ご使用前には毎回、下部保護カバーが正常に閉じているかどうかを点検してください。下部保護カバーがスムーズに動かず、すぐに閉じない場合は、ソーを使用しないでください。下部保護カバーを開いた位置のまま固定しないでください。ソーをうっかり床に落とした場合、下部保護カバーが変形する可能性があります。保護カバーを戻りレバーで開いて、カバーが自由に動くこと、すべての切り込み角度および深さでソーブレードや他の部分と接触しないことを確認してください。
- ▶ 下部保護カバー用スプリングの機能を点検してください。下部保護カバーとスプリングが正常に作動しない場合は、ご使用前にソーの整備を依頼してください。損傷した部品、固着した付着物、切り屑の堆積は下部保護カバーの作動を鈍らせます。
- ▶ 「ブランジカットおよび斜め切断」のような特別な切断の場合のみ、手で下部保護カバーを開いてください。下部保護カバーを戻りレバーで開き、ソーブレードが作業材料に入り込んだらすぐにレバーを放してください。他のすべての切断作業の場合、下部保護カバーは自動的に作動しなければなりません。
- ▶ ワークベンチまたは床にソーを置く場合は、必ず下部保護カバーでソーブレードを保護してください。保護されていないソーブレードが遅延作動すると、ソーが切断方向と反対に動いてその方向にある物体を切断します。この場合、ソーの遅延作動時間に注意してください。

2.3 サーキュラーソーに関するその他の安全上の注意

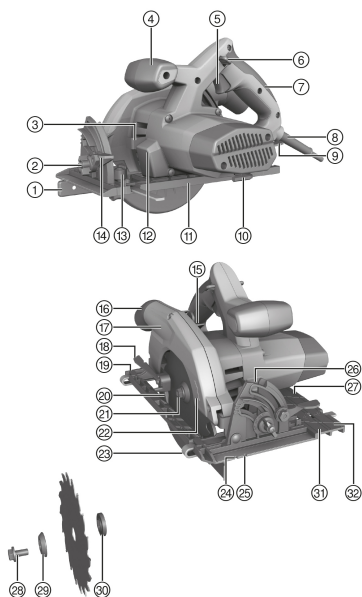
- ▶ ハンドサーキュラーソーは、必ずスイッチをオンにした状態で作業材料に対して動かすようにしてください。
 - ▶ 切断ラインの上下に障害物がないようにしてください。ねじ、ネイル、あるいはこれに類するものを切断しないでください。



- ▶ サークュラーソーを頭より高い位置で使用しないでください。
- ▶ ソーブレードは、決して側方へと押し当てて制動させないでください。
- ▶ 歯の先端が過熱しないようにしてください。
- ▶ プラスチックの切断の際は、プラスチックの溶解を防がねばなりません。
- ▶ 常に切断対象物に適合したソーブレードを使用してください。
- ▶ 必ず EN 847-1 規格に準拠したヒルティ純正のソーブレードを使用してください。

3 製品の説明

3.1 製品概要 1



- ① 1 アーム平行ストッパー
- ② 切り込み角度の初期設定
- ③ スピンドルロックボタン
- ④ 補助グリップ
- ⑤ ON/OFF スイッチ
- ⑥ スイッチオンロック
- ⑦ グリップ
- ⑧ 電源コード
- ⑨ 切り込み深さ設定用リリースレバー
- ⑩ アレンレンチ
- ⑪ 小型ベースプレート
- ⑫ LED ランプ
- ⑬ 前方平行ストッパー用リリースレバー
- ⑭ 切り込み角度設定用リリースレバー
- ⑮ 切り込み深さスケール
- ⑯ 接続ピース(集じん機)
- ⑰ 保護カバー
- ⑱ 振動防止カバーの操作レバー
- ⑲ 後方平行ストッパー用リリースレバー(大型ベースプレートに対してのみ)
- ⑳ 振動防止カバー
- ㉑ 駆動スピンドル
- ㉒ 回転方向矢印
- ㉓ 2 アーム平行ストッパー
- ㉔ 切り込みマーク 0°
- ㉕ 切り込みマーク 45°
- ㉖ 切り込み角度スケール
- ㉗ 大型ベースプレート
- ㉘ テンションボルト
- ㉙ テンションフランジ
- ㉚ サポートフランジ
- ㉛ ベースプレート溝マーク 0°
- ㉜ ベースプレート溝マーク 1°...50°

3.2 ガイドレールアダプターの概要 2

- ⑳ 後方固定フレーム
- ㉑ 前方固定フレーム
- ㉒ 溝マーク 0°
- ㉓ 溝マーク 1°...50°

3.3 正しい使用

本書で説明している製品はサーキュラーソーです。本製品は、木材あるいは木製の作業材料、プラスチック、石膏、ファイバーボードおよび複合材の切断に使用するもので、切り込み深さは 55 mm 以下で、50° までの斜め切断が可能です。



3.3.1 考えられる誤った使用

製品仕様のデータに適合していないソーブレード、高合金高速度鋼(HSS 鋼)製のカッティングディスクと研磨ディスクおよびソーブレードは、使用してはなりません。金属の切断は行えません。

3.4 本体標準セット構成

サーキュラーソー、ソーブレード、アレンレンチ、平行ストッパー、取扱説明書。

安全な作動のために、必ず純正のスペアパーツと消耗品を使用してください。本製品向けに弊社が承認したスペアパーツ、消耗品およびアクセサリは、弊社営業担当または **Hilti Store** にお問い合わせいただくか、あるいは **www.hilti.group** でご確認ください。

4 製品仕様

4.1 製品仕様

定格電圧、定格電流、周波数および定格電力については、国別の銘板でご確認ください。

発電機または変圧器を使用する作業の場合は、それらは本体の銘板に記載されている定格電力より2倍以上大きな出力がなければなりません。変圧器または発電機の作動電圧は、常に本体の定格電圧の +5 %...-15 % の範囲になければなりません。

製品世代	01
重量、小型ベースプレート	4.5 kg
重量、大型ベースプレート	4.7 kg
ソーブレード直径	160 mm ... 165 mm
ソーブレードのメインブレード厚	1.1 mm ... 1.5 mm
ソーブレードの取り付け穴	20 mm
0°での切り込み深さ	0 mm ... 55 mm
45°での切り込み深さ	0 mm ... 41 mm
50°での切り込み深さ	0 mm ... 37 mm
無負荷回転数	5,500/min

4.2 騒音および振動値について

本説明書に記載されているサウンドプレッシャー値および振動値は、規格に準拠した測定方法に基づいて測定したものです。電動工具を比較するのにご使用いただけます。曝露値の暫定的な予測にも適しています。記載されているデータは、電動工具の主要な使用方法に対する値です。電動工具を他の用途で使用したり、異なる先端工具を取り付けて使用したり、手入れや保守が十分でないまま使用した場合には、データが異なることがあります。このような相違により、作業時間全体で曝露値が著しく高くなる可能性があります。

曝露値を正確に予測するためには、電動工具のスイッチをオフにしている時間や、電動工具が作動していても実際には使用していない時間も考慮しなければなりません。このような相違により、作業時間全体で曝露値が著しく低くなる可能性があります。

作業者を騒音および/または振動による作用から保護するために、他にも安全対策を立ててください(例: 電動工具および先端工具の手入れや保守、手を冷やさないようにする、作業手順の編成)。

この点について適用される **EN 62841** 規格のバージョンについての詳細情報は、適合宣言書の画像 32で確認してください。

騒音について

サウンドパワーレベル (L_{WA})	99 dB(A)
サウンドパワーレベルの不確実性 (K_{WA})	3 dB(A)
サウンドプレッシャーレベル (L_{pA})	91 dB(A)
サウンドプレッシャーレベルの不確実性 (K_{pA})	3 dB(A)



振動について

	230 V	110 V
木材切断の際の 3 軸の振動値 (a_{h1})	1.77 m/s ² (5.81 ft/s ²)	2.12 m/s ² (6.96 ft/s ²)
不確実性 (K)	1.5 m/s ²	1.5 m/s ²

5 ご使用方法

5.1 ソーブレードを取り外す

警告

ソーブレード、テンションボルトおよびテンションフランジでの火傷および切断の危険 火傷および切創事故の原因となることがあります。

▶ 先端工具の交換時には、保護手袋を着用してください。

1. 電源プラグをコンセントから抜きます。
2. ソーブレードの固定用ネジにアレンレンチを取り付けます。
3. スピンドルロックボタンを押して、その状態を保ちます。
4. アレンレンチでソーブレードのテンションボルトを回し、スピンドルロックボタンを完全にかみ合わせます。
5. アレンレンチを使用して回転方向矢印の方向に回してテンションボルトを緩めます。
6. テンションボルトと外側のテンションフランジを取り外します。
7. 振動防止カバーを開いて、ソーブレードを外します。



必要に応じて清掃のためにサポートフランジを取り外すことができます。

5.2 ソーブレードを取り付ける

注意

損傷の危険！ 不適切なソーブレードを使用したり、あるいはソーブレードが正しく装着されていないとソーを損傷させる可能性があります。

- ▶ 必ず本サーキュラーソーに適したソーブレードを使用してください。ソーブレード上の回転方向矢印に注意してください。
- ▶ 必ず許容回転数が本製品に表記されている最高回転数以上のソーブレードを使用してください。

1. 電源プラグをコンセントから抜きます。
2. サポートフランジとテンションフランジを清掃します。
3. サポートフランジを正しい方向に取り付けます。
4. 振動防止カバーを開きます。
5. 新しいソーブレードを取り付けます。
6. 外側のテンションフランジを正しい方向に取り付けます。
7. テンションボルトを取り付けます。
8. ソーブレードのテンションボルトにアレンレンチを取り付けます。
9. テンションボルトを時計方向に回してテンションフランジを固定します。その際、片手でスピンドルロックボタンを押し続けてください。
10. ご使用前に、ソーブレードがしっかり正しく固定されているか点検してください。

5.3 切り込み深さを調整する

1. 電源プラグをコンセントから抜きます。
2. 切り込み深さ設定用リリースレバーを緩めてください。
3. サーキュラーソーを斜めに動かして持ち上げ、切り込み深さを調整します。
 - ▶ 切り込み深さが切り込み深さスケールに表示されます。



カッティングエッジをバリのないものにするため、切り込み深さは切断対象物の厚さに 2 mm を加えたものとしてください。

4. 切り込み深さ設定用リリースレバーを固定します。



5.4 切り込み角度を調整する

1. 電源プラグをコンセントから抜きます。
2. 切り込み角度設定用リリースレバーを緩めてください。
3. ベースプレートを希望の切り込み角度にします。
 - ▶ 切り込み角度が切り込み角度スケールに表示されます。
4. 切り込み角度設定用リリースレバーを締め付けてください。

5.5 ポインター

サーキュラーソーの前方ベースプレートには、直線切断および斜め切断用のポインター(0° および 45°) があります。これにより、選択した切り込み角度に応じて精度の高い切断を行うことができます。ポインターエッジはソーブレードの内側に相当します。ソーブレードの前方の切欠き部にポインターがあります。

5.5.1 ポインターに基づいて切断する



作業材料を動かないように固定します。

ソーブレードが作業材料の下で自由に回転できるように、作業材料を配置してください。

製品の ON/OFF スイッチがオフになっていることを確認してください。

サーキュラーソーとベースプレートを作業材料上に置きます。その際、ソーブレードがまだ作業材料と接触しないようにしてください。

1. サーキュラーソーをオンにします。
2. サーキュラーソーを適切な作業速度に合わせ、ポインターに沿って作業材料を切断します。

5.6 平行ストッパーによる切断

シングルアームの平行ストッパーにより、作業材料エッジに沿った正確な切断または同じ寸法のストリップの切断が可能です。平行ストッパーはベースプレートの両側に取り付けることができます。

2アーム平行ストッパーは、必ず大型ベースプレートと一緒に使用してください。平行ストッパーの取付けの際は、正しい方向に取り付けるよう注意してください。

5.7 ガイドレールを使用しての切断。

ガイドレールを使用した切断では、反動の発生を低減することができます。

5.7.1 サーキュラーソーをガイドレールアダプターに取り付ける / ガイドレールアダプターから取り外す



小型ベースプレートを取り付けて切断を行う場合には、ガイドレールに適したガイドレールアダプターを使用してください。

1. 平行ストッパーが取り付けられている場合には、これを取り外します。
2. ベースプレートをガイドレールアダプターの後方固定フレームに差し込みます。
3. ベースプレートの前方部分を完全にガイドレールアダプターに装着します。ベースプレートは前方固定フレームに完全にはまり込まなければなりません。
4. 取外しの際は、前方固定フレームを軽く前方へ引いてサーキュラーソーをガイドレールアダプターから取り外します。

5.7.2 0°での縦切断

▶ 「0°」の溝マークを利用して、サーキュラーソーをガイドレールのフレームに合わせます。

5.7.3 50°以下での縦切断

注意

損傷の危険 ソーを正しくない溝にセットすると、ソーブレードがガイドレールと衝突してしまいます。

▶ ソーは正しい溝にセットしてください。

▶ 「1°...50°」の溝マークを利用して、ソーをガイドレールのフレームに合わせます。



5.7.4 ガイドレールを使用しての切断 12

1. ガイドレールを2個のバイスで下から固定します。
2. サーキュラーソーをガイドレールの取付けエリアにセットしてください。切り込み角度 20°...50° での縦切断の際には保護カバーを手で開いてください。

サーキュラーソーは、作業材料後方のガイドレール上にセットしなければなりません。ソープレードが作業材料と接触しないように注意してください。

3. サーキュラーソーをオンにします。
4. サーキュラーソーを作業材料に沿って均一な速さで動かします。
 - ▶ 切り込み角度が 20° 未満で側部の突起先端に接触すると振動防止カバーが開きます。
 - ▶ 振動防止カバーはガイドレールから出ると再び閉じます。

5.8 吸じん装置を使用しての / 使用しないでの切断

サーキュラーソーには、直径が 27 mm の一般的な吸じんホース用の接続ピースがあります。吸じんホースをサーキュラーソーと接続するために、適切なアダプターが必要になる場合があります。

可能であれば常に、木材用または木材および鋳物用の移動式吸塵装置を使用してください。

吸じん装置なしで作業する場合は、はき出し口を切り屑が体にかからない方向へと回してください。

原則としてフィルタークラス P2 の防じんマスクを着用し、粉じんの影響を低く抑えるために常に十分な換気を心がけてください。

6 手入れと保守

6.1 手入れと保守

警告

感電による危険！ 電源プラグをコンセントに接続した状態で手入れや保守を行うと、重傷事故および火傷の危険があります。

- ▶ 手入れや保守作業の前に、必ず電源プラグをコンセントから抜いてください。

手入れ

- 強固に付着した汚れは慎重に除去してください。
- 通気溝を乾いたブラシで入念に清掃してください。
- ハウジングは必ず軽く湿らせた布で清掃してください。シリコンを含んだ清掃用具はプラスチック部品をいためる可能性があるので使用しないでください。

保守

警告

感電による危険！ 電気部品の誤った修理は、重傷事故および火傷の原因となることがあります。

- ▶ 電気部品の修理を行うことができるのは、訓練された修理スペシャリストだけです。
- 目視確認可能なすべての部品について損傷の有無を、操作エレメントについては問題なく機能することを定期的に点検してください。
- 損傷および / または機能に問題のある場合は、本製品を使用しないでください。直ちに Hilti サービスセンターに修理を依頼してください。
- 手入れおよび保守作業の後には、すべての安全機構を取り付けて機能を点検してください。

安全な作動のために、必ず純正のスペアパーツと消耗品を使用してください。本製品向けに弊社が承認したスペアパーツ、消耗品およびアクセサリーは、弊社営業担当または Hilti Store にお問い合わせいただくか、あるいは www.hilti.group でご確認ください。

6.2 手入れと保守を行った後の点検

手入れ、保守の作業を済ませた後は、すべての安全機構が取り付けられ、正常に作動するか点検してください。

- ▶ 振動防止カバーをチェックするには、操作レバーにより振動防止カバーを完全に開きます。
 - ▶ 操作レバーから手を放した後、振動防止カバーは素早くかつ完全に閉じなければなりません。



6.3 集じんチャンネルの清掃

清掃の際は、場合によってはソーブレードを取り外す必要があります。

1. 電源プラグをコンセントから抜きます。
2. ソーブレードを取り外します。 17
3. 切り屑ダクトを清掃します。
4. ソーブレードを取り付けます。 17
5. 本体の可動部分が引っ掛かりなく正常に作動しているか、本体の運転に影響を及ぼす各部分が破損・損傷していないかを確認してください。

6.4 安全機構の清掃

1. ソーブレードを取り外します。 17
2. 安全機構を乾いたブラシを使用して注意深く掃除してください。
3. 安全機構内部の塵埃の堆積や切り屑は適切な工具を使用して除去してください。
4. ソーブレードを取り付けます。 17

7 故障かな？ と思った時

故障	考えられる原因	解決策
本体機能がフルに発揮されない。	延長コードが長すぎる、または導体断面積が小さすぎる。	▶ 許容された長さで十分な導体断面積を持つ延長コードを使用する。
	供給電源の電圧が低すぎる。	▶ 本体を別の電源に接続する。
本体が作動しない。	供給電源の遮断。	▶ 他の電動工具を接続して機能を点検する。
	電源コードあるいはプラグの故障。	▶ 修理スペシャリストに電源コードまたはプラグの点検を依頼し、必要な場合にはHilti サービスセンターに交換を依頼する。
	ON/OFF スイッチの故障。	▶ Hilti サービスセンターに修理を依頼する。
	カーボンの摩耗。	▶ Hilti サービスセンターに修理を依頼する。
吸引しない / 吸引能力の低下	切り屑ダクトの詰まり。	▶ 切り屑ダクトを清掃します。 20
振動防止カバーが閉じない。	安全機構の詰まり。	▶ 安全機構を清掃します。 20
本体が異常に振動する。	ソーブレードの取り付けが正しくない。	▶ ソーブレードを取り外し、正しいソーブレードを取り付ける。

8 廃棄

Hilti 製品の大部分の部品はリサイクル可能です。リサイクル前にそれぞれの部品は分別して回収されなければなりません。多くの国でHiltiは、古い電動工具をリサイクルのために回収しています。詳細については弊社営業担当またはHilti 代理店・販売店にお尋ねください。



- ▶ 電動工具、電子機器およびバッテリーを一般ゴミとして廃棄してはなりません！

9 RoHS (有害物質使用制限に関するガイドライン)

下記のリンクより、有害物質を記載した表を確認できます： qr.hilti.com/r2937786。
本書の最終ページに RoHS 表にリンクした QR コードがあります。



- ▶ 保証条件に関するご質問は、最寄りのHilti 代理店・販売店までお問い合わせください。

原始操作説明

1 關於操作說明的資訊

1.1 關於本操作說明

- 注意！在使用本產品之前，請確保您已閱讀並瞭解產品隨附的操作說明書，包括說明、安全性和警示注意事項、圖解和規格。尤其是熟悉所有說明、安全性和警示注意事項、圖解、規格、組件和功能。若未遵守，可能會導致觸電、火災和/或嚴重傷害的風險。妥善保存操作說明書，包括所有說明、安全性和警示注意事項，以備日後使用。
- 產品是針對專業使用者設計，故僅經訓練、認可的人員可操作、維修與維護本產品。必須告知上述人員關於可能遭遇到的特殊危險。若因未經訓練人員操作錯誤或未依照其原本的用途操作，則本產品和它的輔助工具設備有可能會發生危險。
- 隨附的操作說明書符合印刷時的最新技術水準。您隨時可在Hilti產品頁面上尋找最新版本。為此，請點選操作說明書中標示 符號的連結或QR碼。
- 將產品交予他人時，必須連同本操作說明書一併轉交。

僅適用於台灣

進口商: 喜利得股份有限公司

地址: 新北市板橋區

新站路16號24樓22041

電話: 0800-221-036

1.2 已使用的符號說明

1.2.1 警告

警告使用本產品的人員可能發生之危險。採用了以下標示文字：

危險

危險！

- ▶ 此標語警示會發生對人造成嚴重傷害甚至致死的危險情形。

警告

警告！

- ▶ 此標語警示會造成嚴重傷害甚至致死危險的潛在威脅。

注意

注意！

- ▶ 請小心會造成人員受傷或對設備及其他財產造成損害的潛在危險情況。

1.2.2 文件中的符號

本文件中採用以下符號：

	使用前請閱讀操作說明。
	使用說明與其他資訊
	處理可回收的材料
	不可將電子設備與電池當作家庭廢棄物處置



1.2.3 圖解中的符號

圖解中採用了以下符號：

	號碼對應操作說明的開始處的圖解
	編號代表圖解中的操作步驟順序，可能與內文中的步驟有所不同
	項目參考編號用於總覽圖解，並請參閱產品總覽章節中使用的編號
	本符號是為了讓您在操作本產品時可以注意某些重點。

1.3 產品專屬符號

1.3.1 產品上的符號

產品上會採用下列符號：

	無線資料傳輸
	無負載下的額定速率
	防護等級II (雙重絕緣)
	鋸片

2 安全性

2.1 一般電動機具安全警告

⚠ 警告 請詳閱本電動機具提供的所有安全警告、指示、圖解和說明。未能遵守以下所有指示可能會造成電擊事故、火災和 / 或嚴重的傷害。

妥善保存所有警示及說明，以供將來參考。

注意事項中的「機具」係指使用電源（有線）或電池（無線）的電動機具。

工作區域安全

- ▶ 請保持工作區的清潔與採光充足。雜亂而昏暗的工作區會導致意外發生。
- ▶ 勿在容易發生爆炸的環境中使用機具，例如有可燃性液體、瓦斯或粉塵存在的環境。機具產生的火花可能會引燃塵埃或煙霧。
- ▶ 操作機具時，請與兒童及旁人保持距離。注意力不集中時容易發生失控的情形。

電力安全

- ▶ 機具插頭與插座須能互相搭配。勿以任何方式改裝插頭。勿將任何變壓器插頭與與地面接觸（接地）的電動機具搭配使用。未經改裝的插頭以及能互相搭配的插座可減少發生電擊的危險。
- ▶ 避免讓身體接觸到如管線、散熱器、爐灶與冰箱等與土地或地表接觸之物品。如果您的身體接觸到地表或地面，將增加電擊的危險。
- ▶ 請勿將機具曝露在下雨或潮濕的環境中。若水氣進入機具中將增加觸電的危險。
- ▶ 勿濫用電纜線。勿以電纜線吊掛、拖拉機具或拔下機具插頭。電纜線應避開熱氣、油、銳利的邊緣或移動性零件。電纜線損壞或纏繞會增加發生電擊事故的危險。
- ▶ 於室外操作機具時，須使用適用於戶外的延長線。使用適合戶外使用的延長線可降低觸電的風險。
- ▶ 如果無法避免在潮濕的地點操作機具，請使用漏電斷路器（RCD）保護電源供應器。使用漏電斷路器（RCD）可降低電擊的風險。

人員安全

- ▶ 操作機具時，請提高警覺，注意進行中的工作並善用常識。感到疲勞或受到藥物、酒精或治療的影響時勿使用機具。操作機具時稍不留神就可能造成嚴重的人員傷亡。
- ▶ 穿戴個人防護裝備。請隨時穿戴眼罩。適當使用防塵面罩、防滑鞋、安全帽及耳罩等安全防護配備可減少人員的傷害。
- ▶ 避免不經意的啟動。在接上電源或電池組、抬起或攜帶機具之前，務必確認開關處於關閉的位置。攜帶機具時，如果把手指放在開關上，或在開關開啟時，將機具插上插頭容易發生意外。
- ▶ 啟動機具前，應將所有調整鑰匙或扳手移開。將扳手或鑰匙留在機具的旋轉零件中可能會造成人員傷害。
- ▶ 勿將手伸出過遠。隨時站穩並維持平衡。這可讓您在意外情況發生時，對機具有較好的控制。



- ▶ 穿著適當服裝。請勿穿著寬鬆的衣服或佩戴珠寶。頭髮、衣服與手套應遠離移動性零件。移動性零件可能會夾到寬鬆的衣服、珠寶或長髮。
- ▶ 如果機具可連接吸塵裝置與集塵設備，請連接並適當使用這些設備。使用集塵裝置可降低與粉塵有關的危險。
- ▶ 請勿因頻繁而習慣使用機具便疏於遵守或忽略機具的安全規範。草率使用可能在轉眼間便造成嚴重的傷害。

機具使用與保養

- ▶ 不可強制使用機具。依據用途使用正確的機具。根據設計的速率使用機具可更快速安全地完成工作。
- ▶ 若無關無法啟動或關閉電動工具時，請勿使用電動工具。任何無法以開關控制的機具都很危險且需要維修。
- ▶ 在進行任何調整、更換配件、或貯放電動機具前，請先將插頭拔離插座和 / 或將電池組自電動機具卸下（如可拆卸）。此預防安全措施可降低機具意外啟動的風險。
- ▶ 將開置的機具貯放在兒童拿不到的地方，勿讓不熟悉或未詳閱本說明的人員操作本機具。機具在未經訓練的使用者手中是很危險的。
- ▶ 維護機具與配件。請檢查移動性零件有無偏移或黏合的情形、零件有無破損，以及任何會影響機具運轉的狀況。如果機具受損，請先維修後再使用。很多意外便是由維護不當的機具造成的。
- ▶ 保持切割機具的銳利與清潔。具銳利切割邊緣的切割機具如果得到適當的維護，便較不會發生黏合的現象，且較容易控制。
- ▶ 遵守本指示說明使用機具、配件和工具組等，並考量工作條件與待進行的工作。將機具用在原目的之外用途可能會造成危險。
- ▶ 保持握把與其表面的乾燥、清潔且不要讓上面出現油漬。握把及其表面濕滑會在意外情況中造成機具無法安全掌控。

維修服務

- ▶ 請將機具交給合格的維修人員進行維修，並使用相同的替代零件。這可確保維護機具安全。

2.2 所有電鋸的安全說明

切鋸過程

- ▶ **⚠ 危險：**請保持雙手遠離切割區和鋸片。請用您的另一隻手握住輔助把手或馬達機殼。若以雙手握著電鋸，便不會被鋸片割傷。
- ▶ 請勿將手伸到工件底下。若將手放在工件底下，則當鋸片突出工件下方時防護措施無法發揮作用。
- ▶ 配合工件厚度，調整切割深度。工件底下保持不超過一個完整刀片鋸齒的距離。
- ▶ 請勿將工件物件放在手上或腿上進行切割。使用結實的固定座固定工件。重要的是將工件適當地固定，以儘量降低身體接觸、鋸片卡住或失去控制的風險。
- ▶ 在配件工具可能會接觸到隱藏配線或其自身電線的環境中執行工作時，請以僅接觸絕緣握把表面的方式握住機具。接觸帶電的電線也會使電子機具的金屬部件帶電並導致觸電。
- ▶ 在縱向切割時，請一律使用擋塊或直邊引導件。這可更準確的切割並減少鋸片被夾住的情況。
- ▶ 請一律使用正確的鋸片尺寸和合適的軸孔（例如星形或圓形）。無法搭配電鋸硬體的刀片，會導致刀片偏移而失去控制。
- ▶ 請勿使用損壞或錯誤的鋸片墊圈或螺栓。特別為電鋸設計的刀片墊圈和螺栓，可達到最佳效能並確保操作安全。

反作用力 - 原因與適用的安全說明

- 反作用力是由於鋸片鉤住、卡住或未對準而引起的突然反應，導致電鋸不受控制而抬起，並從工件往操作人員方向移動；
- 如果鋸片在封閉的切口中被卡住或夾住，則鋸片刹住，且馬達動力會將電鋸反推至操作人員方向；
- 如果鋸片在鋸切中扭曲或未對準，則鋸片後邊緣上的鋸齒可能會卡在工件表面，導致鋸片脫出切口，並使電鋸往操作人員的方向彈回。

會產生反作用力的原因是使用方式錯誤或不當操作本電鋸。採用如下所述之適當程序可避免此情況的發生。

- ▶ 雙手緊緊握電鋸，並將手臂置於可以吸收反作用力的位置。身體應位於鋸片的側面，但不可和鋸片呈一直線。發生反作用力時，圓鋸可能跳回，但操作人員可採取適當的預防措施來控制反作用力道。
- ▶ 當鋸片卡住，或因任何原因需要中斷切割，請關閉電鋸並停在材料上保持不動，直到鋸片完全停止。電鋸正在切割時，切勿將電鋸移開工件或將電鋸往後拉，則可能產生反作用力。了解並採取更正措施，以排除卡住的原因。
- ▶ 要在工件中重新啟動電鋸時，請將鋸片放置到切口中央，且確認鋸齒沒有卡在材料中。鋸片卡住時，如重新啟動電鋸，則可能將其從工件中移出或引起反作用力。
- ▶ 請以大型控制板支撐，以減少鋸片卡住的反作用力風險。大型控制板會因其自身的重量而下垂。控制板必須支撐於兩側，在切口附近和在邊緣。



- ▶ 勿使用已經鈍化或損壞的鋸片。鋸片的鋸齒鈍化或未正確對準時，如果切口過窄，則會導致摩擦力增加、鋸片卡住和反作用力。
- ▶ 進行切割前，請先鎖緊鋸片深度和鋸片角度調整鎖定機桿。切割時變更設定會讓鋸片黏合，造成電鋸產生反作用力。
- ▶ 在牆上或其他盲蔽區域執行切割時，請格外小心。鋸片切入材料時可能會接觸到隱藏的異物，造成反作用力。

下方防護罩的功能

- ▶ 每次使用前，請檢查下方防護罩是否正確閉合。如果下方防護套無法自由移動且立即閉合，請勿使用該電鋸。絕不可在下方防護罩於開啟位置時夾住或接合。如果電鋸不慎落在地板上，可能導致下方防護罩彎曲。使用退回桿打開防護罩，並確保防護罩可自由移動，且在所有切割角度和深度均不會碰觸鋸片或其他部件。
- ▶ 檢查下方防護罩的彈簧功能。如果下方防護罩無法正常運作，請在使用前將電鋸維修。損壞的零件、沾黏的沉積物或碎屑堆積皆會導致下方防護罩的運作遲緩。
- ▶ 只能在特殊切割時才能用手打開下方防護罩，如「進刀切割和角切」。當鋸片沒入工件時，立即用退回桿打開下方防護罩，然後將其放開。在其他所有鋸切作業時，下方防護罩應自動運作。
- ▶ 切勿在下方防護罩未覆蓋鋸片的情況下，將電鋸放置在工作台或地板上。未受保護和續轉的鋸片會使電鋸逆著切割方向移動，並鋸切途中的一切。請注意電鋸的續轉時間。

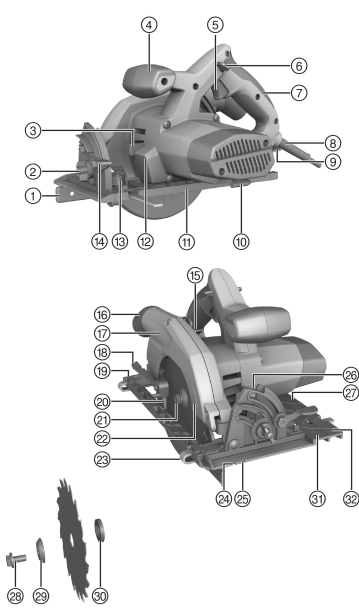
2.3 圓鋸的其他安全說明

- ▶ 待圓鋸啟動後才可讓鋸片與工件接觸。
 - ▶ 鋸切路徑的工件上下方均不可有任何障礙物。請勿切割螺絲、鋼釘或類似物體。
- ▶ 請勿朝上使用圓鋸。
- ▶ 請勿試圖以對側面施壓的方式將鋸片煞停。
- ▶ 避免鋸齒尖端過熱。
- ▶ 切割塑膠時，應避免塑膠融化。
- ▶ 請務必使用適合欲切割之基材的鋸片。
- ▶ 僅可使用Hilti建議符合EN 847-1標準的鋸片。



3 說明

3.1 產品總覽 1



- ① 單臂鋸柵
- ② 切割角度設定
- ③ 軸鎖定開關
- ④ 輔助握把
- ⑤ On/Off開關
- ⑥ 開啟聯鎖裝置拆卸鈕
- ⑦ 握把
- ⑧ 電源線
- ⑨ 切割深度調校的夾緊機桿
- ⑩ 六角扳手
- ⑪ 小型底盤
- ⑫ LED照明
- ⑬ 鋸柵前夾緊機桿
- ⑭ 切割角度調校的夾緊機桿
- ⑮ 切割深度刻度
- ⑯ 軟管連接頭（真空吸塵器）
- ⑰ 防護套
- ⑱ 旋轉防護套操作機桿
- ⑲ 鋸柵後夾緊機桿（僅適用於大型底盤）
- ⑳ 旋轉防護套
- ㉑ 軸心
- ㉒ 旋轉方向箭頭
- ㉓ 雙臂鋸柵
- ㉔ 0°切割線指示器
- ㉕ 45°切割線指示器
- ㉖ 切割角度刻度
- ㉗ 大型底盤
- ㉘ 固定螺栓
- ㉙ 夾緊凸緣
- ㉚ 安裝凸緣
- ㉛ 底盤上的0°指示器
- ㉜ 底盤上的1°- 50°指示器

3.2 導引滑軌錐形套總覽 2

- ③③ 後側卡榫
- ③④ 前側卡榫
- ③⑤ 0°指示器
- ③⑥ 1°- 50°指示器

3.3 用途

此處所述產品為圓鋸。其專用於切割木材或近似木材的基材、塑膠、石膏灰泥板、石膏纖維板與合成基材，切割深度可達55 mm且斜切角度可達50°。

3.3.1 可能發生的誤用

請勿使用不符技術資料之鋸片，且不得使用以高合金高速鋼（HSS鋼材）製成的切割碟片或研磨轉輪。請勿使用本機具切割金屬。

3.4 配備及數量

圓鋸、鋸片、六角扳手、鋸柵、操作說明。



為確保操作的安全及可靠性，請務必使用原廠Hilti備件與耗材。您可以在Hilti Store或網站：
www.hilti.group選購Hilti認可的備件、耗材和配件。



4 技術資料

4.1 技術資料



關於額定電壓、頻率、電流及輸入功率，請參閱國家所屬型號識別牌。

如果裝置由發電機或變壓器供電，必須至少能提供兩倍於裝置額定銘板上標示的額定輸入值電力。發電機或變壓器的操作電壓必須隨時介於裝置額定電壓+5 %和-15 %以內。

產品世代	01
重量, 小型底盤	4.5 kg
重量, 大型底盤	4.7 kg
鋸片直徑	160 mm ... 165 mm
鋸片碟片厚度	1.1 mm ... 1.5 mm
鋸片軸尺寸	20 mm
0°時的切割深度	0 mm ... 55 mm
45°時的切割深度	0 mm ... 41 mm
50°時的切割深度	0 mm ... 37 mm
無負載下轉速	5,500 rpm

4.2 噪音資訊及震動值

操作說明中所提供之音壓和震動值已參照標準測量，並可用來比較不同機具之噪音。它們也可作為噪音量的初步評估。

提供之資料表示機具主要應用時之數值。若機具應用於不同之用途，搭配不同的配件工具或在保養不良的情況下，其數據會有所不同。在作業過程中，這會大幅提高其噪音量。

當電子機具關閉，或開啟但未進行任何作業時也應列入考量，才能準確評估噪音量。在作業過程中，這會大幅降低其噪音量。

確認其他安全措施，以保護操作員不受噪音和 / 或震動影響，例如：保養機具與其配件工具、操作前保持雙手溫暖、作業型式之安排等。



關於在本處所使用EN 62841標準版本的詳細資訊，請查閱符合聲明之副本 32。

噪音資訊

聲功率級數 (L_{WA})	99 dB(A)
無法判定的聲功率級數 (K_{WA})	3 dB(A)
音壓級數 (L_{pA})	91 dB(A)
無法判定的音壓級數 (K_{pA})	3 dB(A)

震動資訊

	230V	110V
切割木材時的三軸震動值 (a_h)	1.77 m/s ² (5.81 ft/s ²)	2.12 m/s ² (6.96 ft/s ²)
無法判定 (K)	1.5 m/s ²	1.5 m/s ²

5 操作

5.1 移除鋸片



警告

在鋸片、固定螺栓和夾緊凸緣上有造成燙傷、割傷的危險。可能導致燙傷和割傷。

► 更換刀片時請配戴手套。

1. 請將電源線插頭自插座拔除。
2. 將六角扳手插入鋸片固定螺栓。



3. 按下起子軸鎖定開關，並按住不動。
4. 用六角扳手轉動鋸片固定螺栓直到主軸鎖定開關完全卡住為止。
5. 朝旋轉箭頭方向轉動六角扳手，鬆開固定螺栓。
6. 從外側凸緣卸下固定螺栓。
7. 將旋轉防護套擺動到側邊將其開啟，然後卸下鋸片。



如有需要，您可以拆下固定凸緣進行清潔。

5.2 安裝鋸片

注意

有損壞的危險！不適用或未正確安裝的鋸片可能會造成電鋸損壞。

- ▶ 僅能使用此電鋸適用的鋸片。依鋸片上的旋轉方向箭頭使用。
- ▶ 僅可使用最大額定速率至少等於產品最大運轉速度的鋸片。

1. 請將電源線插頭自插座拔除。
2. 清潔固定凸緣及夾緊凸緣。
3. 從正確方向安裝外側的夾緊凸緣（即面向右方）。
4. 打開旋轉防護套。
5. 安裝新鋸片。
6. 從正確方向安裝外側的凸緣。
7. 插入固定螺栓。
8. 將六角扳手插入鋸片固定螺栓。
9. 將固定螺栓以順時針方向旋入以固定夾緊凸緣。同時，用一手按住軸心鎖定開關。
10. 使用機具前，請先檢查鋸片是否已確實裝入並完全鎖緊。

5.3 調整切割深度

1. 請將電源線插頭自插座拔除。
2. 鬆開切割深度調校夾緊機桿。
3. 以剪切動作升高圓鋸並設定切割深度。
 - ▶ 切割深度會顯示在切割深度刻度上。



要進行邊緣俐落的切割，請將切割深度設為基材的厚度加 2 mm。

4. 固定切割深度調校夾緊機桿。

5.4 設定斜切角度

1. 請將電源線插頭自插座拔除。
2. 鬆開切割角度調校夾緊機桿。
3. 將底盤轉至希望的斜切角度。
 - ▶ 斜切角度會顯示在斜切角度刻度上。
4. 鎖緊切割角度調校夾緊機桿。

5.5 切割線指示燈

圓鋸的底盤前緣為直線切割與斜切（0°與45°）用的切割線指示器。如此可使用需要的斜切角度進行精確切割。切割線指示燈的邊緣對應著鋸片內側。有一個切割線指示燈位在鋸片前方開啟處及底盤末端。

5.5.1 沿線切割



將工件固定以防止移動。

將工件放好，讓鋸片可在工件下移動順暢。

確認產品上的On/Off開關位在關閉位置。

將圓鋸底盤的前段放在工件上，但不要讓刀片接觸到工件。

1. 啟動圓鋸。



2. 以合適的速度帶著圓鋸在工件上沿著切割線移動。

5.6 使用鋸柵進行切割

使用單臂鋸柵可以沿著工件邊緣精準切割或以相同寬度將工件鋸成條狀。鋸柵可安裝在底盤的任一側。雙臂鋸柵僅可搭配大型底盤使用。安裝鋸柵，確認安裝的方向正確。

5.7 使用導引滑軌進行切割。

使用導引滑軌進行切割可降低造成反作用力之風險。

5.7.1 插入 / 移除導引滑軌錐形套

使用電鋸搭配小型底盤時，請使用符合導引滑軌的導引滑軌錐形套。

1. 若已安裝鋸柵，請將鋸柵卸下。
2. 將底座安裝於導引滑軌錐形套的後方卡榫內。
3. 將底座的前側邊緣往下方完全滑入導引滑軌錐形套中。底盤必須完全與前方卡榫咬合。
4. 移除時，請將前方卡榫輕輕向前拉起，再將圓鋸從導引滑軌錐形套上取下。

5.7.2 以0°縱向切割

- ▶ 將圓鋸放到引導滑軌上，並對準滑軌溝槽螺紋上標示「0°」的位置。

5.7.3 以最大50°的角度縱向切割

注意

損壞風險 如果電鋸固定在錯誤的溝槽內，則鋸片將會與導引滑軌碰撞。

- ▶ 將電鋸放入正確的溝槽中。
- ▶ 將電鋸放到引導滑軌上，並對準滑軌溝槽螺紋上標示「1- 50°」的位置。

5.7.4 於導引滑軌上使用電鋸

1. 使用兩個螺絲夾子自下方穩固導引滑軌。
2. 將圓鋸放置在導引滑軌上，離切割起點一段距離之位置。以20°- 50°的切割角度縱向切割（切鋸）時，手動打開防護套。

電鋸必須放在工件後面的導引滑軌上。
請小心確認鋸片沒有接觸工件。

3. 啟動圓鋸。
4. 以穩定的速度用圓鋸切穿工件。
 - ▶ 切割角度為20°時，旋轉防護套會在接觸到側向致動邊時自動開啟。
 - ▶ 電鋸離開導引滑軌末端時，旋轉防護套會自動重新關上。

5.8 使用或不使用鋸屑吸塵器進行切割

圓鋸有一接頭，可適用直徑為27 mm的一般型真空吸塵器軟管。將真空吸塵器軟管與圓鋸連接必須使用適合的轉接器。

請盡可能使用適用木材及木材與礦材之攜帶式除塵系統。

若工作時未使用鋸屑吸塵器，請將彈出器轉至可讓鋸屑遠離您的方向。

請務必使用P2過濾等級的防塵面罩並隨時保持適當通風，讓曝露於鋸屑的機會降到最低。



6 維護和保養

6.1 維護及保養

警告

觸電危險！電源線仍連接到電源插座時進行維護和保養會造成嚴重的傷害或灼傷。

- ▶ 進行維護及保養前，請務必拔下電源線。

注意

- 仔細清除機具的頑強灰塵。
- 請使用乾燥的刷子小心清潔通風口。
- 僅能使用微濕軟布清潔外殼。勿使用含硅樹脂的清潔或亮光劑，因為可能會造成塑膠零件損壞。

維護

警告

電擊的風險！損壞的電子零件會造成嚴重的人員傷害及灼傷。

- ▶ 機具或設備電力部分的維修僅可交由訓練過的電力專員處理。

- 定期檢查外部零件和控制元件有無損壞跡象，並確認它們運作正常。
- 如果有損壞跡象或任何零件功能故障，請不要操作本產品。請將產品立刻交付Hilti維修中心進行維修。
- 清潔及保養後，裝上所有防護套或保護裝置並檢查功能是否正常。



為確保操作的安全及可靠性，請務必使用原廠Hilti備件與耗材。要選購Hilti認可的備件、耗材和配件，請至Hilti Store或網站：www.hilti.group。

6.2 清潔與維修後的檢查



在清潔或維修後，請檢查所有安全裝置均已安裝且正常運作。

- ▶ 要檢查旋轉防護套，請移動防護套操作機桿以完全打開防護套。
 - ▶ 鬆開防護套操作機桿後，必須迅速並完全關閉旋轉防護套。

6.3 清潔彈出器



清潔時務必移除鋸片。

1. 請將電源線插頭自插座拔除。
2. 移除鋸片。 26
3. 清潔彈出器。
4. 安裝鋸片。 27
5. 檢查移動性零件是否正常運作且未卡住，並確定沒有零件破裂或損壞，如此一來才不會影響機具操作。

6.4 清潔防護套

1. 移除鋸片。 26
2. 用乾燥的刷子仔細清潔防護套的零件。
3. 使用合適的工具去除防護套零件內側表面附著的沉積物或切片。
4. 安裝鋸片。 27

7 故障排除

故障	可能原因	解決方法
機具無法產生全功率。	延長線太長或口徑規格不足。	▶ 使用經認可的延長線及 / 或足夠的口徑。
	電源供應電壓過低。	▶ 連接機具至不同的電源。



故障	可能原因	解決方法
機具不會運作。	電源供應中斷。	▶ 插入另一機具或電器的插頭並檢查是否可啟動。
	電源線或插頭有瑕疵。	▶ 請將電源線或插頭交由受過訓練的電力專員檢查，必要時由Hilti維修中心更換。
	On/Off開關故障。	▶ 請將產品交付Hilti維修中心進行維修。
	碳刷磨損。	▶ 請將產品交付Hilti維修中心進行維修。
無吸塵功率或吸塵功率降低	碎屑彈出器溝槽阻塞。	▶ 清潔彈出器。 29
旋轉防護套未關閉。	安全裝置堵塞。	▶ 清潔防護套。 29
機具比平常震動更強烈。	鋸片未正確安裝。	▶ 請取下鋸片並正確重新安裝。

8 廢棄設備處置

Hilti機具或設備所採用的材料大部分均可回收再利用。材料在回收前必須正確地分類。在許多國家中，您可以將舊機具及設備送回Hilti進行回收。詳情請洽Hilti維修中心，或當地Hilti代理商。



- ▶ 不可將電動工具、電動裝置和電池當成一般垃圾丟棄！

9 RoHS (有害物質限制指令)

按一下本連結可前往危險物質表：qr.hilti.com/r2937786。

您可在文件最後找到QR碼格式的RoHS表連結。

10 製造商保固

- ▶ 如果您對於保固條件有任何問題，請聯絡當地Hilti代理商。

Hilti Taiwan Co., Ltd.

24F., No. 16, Xinzhan Rd., Banqiao Dist., New Taipei City 220, Taiwan (R.O.C.)

Tel. 0800-221-036





SC 55W

en Declaration of conformity
Declaration of conformity

The manufacturer declares, on his sole responsibility, that the product described here complies with the applicable legislation and standards.

The technical documentation is filed here:

Hilti Entwicklungsgesellschaft mbH | Tool Certification | Hiltistrasse 6 | D-86916 Kaufering, Germany

Product information

Circular saw	SC 55W
Generation	01
Serial no.	

ja 適合宣言
適合宣言

製造者は、単独の責任において本書で説明している製品が有効な法規と有効な標準規格に適合していることを宣言します。

技術資料は本書の后续の頁に記載されています：

Hilti Entwicklungsgesellschaft mbH | Zulassung Geräte | Hiltistraße 6 | 86916 Kaufering, DE

製品データ

サーキュラーソー	SC 55W
製品世代	01
製造番号	

zh 符合聲明
符合聲明

基於製造商唯一的責任，本公司在此聲明本產品符合適用法規及標準。

技術文件已歸檔：

Hilti Entwicklungsgesellschaft mbH | Tool Certification | Hiltistrasse 6 | D-86916 Kaufering, Germany

產品資訊

圓鋸	SC 55W
產品代別	01
序號	





Hilti Corporation
 Feldkircherstraße 100
 9494 Schaan | Liechtenstein
SC 55W (01)

2006/42/EC
 2014/30/EU
 2011/65/EU

EN 62841-1:2015, AC:2015, A11:2022
 EN IEC 55014-1:2021
 EN IEC 61000-3-2:2019, A1:2021

EN 62841-2-5:2014
 EN IEC 55014-2:2021
 EN 61000-3-11:2019

Schaan, 29.03.2024

Dr. Tahar Zrilli
 Head of Quality and Process Management
 Business Area Electric Tools & Accessories

Edward-Louis Przybylowicz
 Head of BU Power Tool & Accessories
 Business Area Electric Tools & Accessories

**UK
 CA**

en UK Declaration of Conformity

Declaration of conformity

The manufacturer declares, on his sole responsibility, that the product described here complies with the applicable legislation and standards.

The technical documentation is filed here:

Hilti Entwicklungsgesellschaft mbH | Tool Certification | Hiltistrasse 6 | D-86916 Kaufering, Germany

Product information

Circular saw	SC 55W
Generation	01
Serial no.	





Manufacturer:

Hilti Corporation
Feldkircherstraße 100
9494 Schaan | Liechtenstein

SC 55W (01)

Supply of Machinery (Safety) Regulations
2008

Electromagnetic Compatibility Regulations
2016

The Restriction of the Use of Certain
Hazardous Substances in Electrical and
Electronic Equipment Regulations 2012

UK Importer:

Hilti (Gt. Britain) Limited
No. 1 Circle Square, 3 Symphony Park
Manchester, England, M1 7FS



EN 62841-1:2015, AC:2015, A11:2022

EN IEC 55014-1:2021

EN IEC 61000-3-2:2019, A1:2021

EN 62841-2-5:2014

EN IEC 55014-2:2021

EN 61000-3-11:2019

Schaan, 29.03.2024

Dr. Tahar Zrilli

Head of Quality and Process Management
Business Area Electric Tools & Accessories

Edward-Louis Przybyłowicz

Head of BU Power Tool & Accessories
Business Area Electric Tools & Accessories











Hilti Corporation
LI-9494 Schaan
Tel.:+423 234 21 11
Fax:+423 234 29 65
www.hilti.group



2092691