



**HCW**  
**WOOD CONECTOR**  
**ETA 21- 0357 (01.03.2024)**



English 2-24

Deutsch 25-47

Polish 48-70



ETA-Danmark A/S  
Göteborg Plads 1  
DK-2150 Nordhavn  
Tel. +45 72 24 59 00  
Fax +45 72 24 59 04  
Internet www.etadanmark.dk

Authorized and notified according  
to Article 29 of the Regulation (EU)  
No 305/2011 of the European  
Parliament and of the Council of 9  
March 2011

MEMBER OF EOTA



## European Technical Assessment ETA-21/0357 of 2024/03/01

### I General Part

**Technical Assessment Body issuing the ETA and designated according to Article 29 of the Regulation (EU) No 305/2011: ETA-Danmark A/S**

**Trade name of the construction product:**

Fastening element Hilti HCW, HCW L

**Product family to which the above construction product belongs:**

Three-dimensional nailing plate (concealed beam hangers)

**Manufacturer:**

Hilti AG  
Feldkircherstrasse 100  
9494 Schaan  
Fürstentum Liechtenstein

**Manufacturing plant:**

Hilti Werke

**This European Technical Assessment contains:**

23 pages including 3 annexes which form an integral part of the document

**This European Technical Assessment is issued in accordance with Regulation (EU) No 305/2011, on the basis of:**

EAD 130186-00-0603 for Three-dimensional nailing plates

**This version replaces:**

The ETA with the same number issued on 2022-04-25

Translations of this European Technical Assessment in other languages shall fully correspond to the original issued document and should be identified as such.

Communication of this European Technical Assessment, including transmission by electronic means, shall be in full (excepted the confidential Annex(es) referred to above). However, partial reproduction may be made, with the written consent of the issuing Technical Assessment Body. Any partial reproduction has to be identified as such.

## II SPECIFIC PART OF THE EUROPEAN TECHNICAL ASSESSMENT

### 1 Technical description of product

Hilti HCW and HCW L are two-piece connectors to be used in timber to timber connections as well as connections between a timber and a steel member or timber and concrete member.

Hilti HCW and HCW L has a nominal diameter of 40 mm, is installed in pre-drilled holes of timber members (see Annex A). The dowel type fastener has one end with M12 to slide into the connector. The dowel type fastener is fixed from the clamping device, so the connections are immediately load bearing.

Fastener type can be:

- Threaded rod M12 (minimum 4.6 strength) for steel connections or timber connection with bolt
- Concrete fastener with ETA and M12 connection (steel strength  $f_{u,k} \geq 500 \text{ N/mm}^2$ )
- Timber screw acc. EN 14592 or ETA with M12 connection (steel strength  $f_{u,k} \geq 400 \text{ N/mm}^2$ )

#### Geometry and Material

The connectors are made from carbon steel, according to EN 10277 and are galvanized. Dimensions are shown in Annex A and typical installations are shown in Annex B.

### 2 Specification of the intended use in accordance with the applicable European Assessment Document (hereinafter EAD)

The connectors are intended for use in making end-grain to side-grain connections, end-grain to end-grain and side-grain to side-grain connections in load bearing timber structures, as a connection between a wood based joist and a solid timber (softwood or hardwood) or wood based header, where requirements for mechanical resistance and stability and safety in use in the sense of the Basic Works Requirements 1 and 4 of Regulation (EU) 305/2011 shall be fulfilled.

They are also intended for use in making an end-grain or side-grain connection between a timber joist and a steel member or concrete member.

The connectors can be installed as connections between wood based members such as:

- Structural solid timber of soft- or hardwood according to EN 338 / EN 14081,
- Glulam made of soft- or hardwood, classified according to EN 1194 / EN 14080, or with ETA or national approval

- LVL according to EN 14374 or ETA/
- Parallam PSL,
- Intrallam LSL,
- Duo- and Triobalken,
- Cross laminated timber and similar structural glued products according EN16351 or ETA.
- Engineered wood products and solid wood panels according to EN13986 or ETA, the provisions of the ETA of the engineered wood product apply
- Engineered wood products according to ETA if the ETA of the product includes provisions for the use of self-tapping screws, the provisions of the ETA of the engineered wood product apply.

However, the calculation methods are only allowed for a characteristic wood density of up to  $590 \text{ kg/m}^3$  for softwood and for hardwood. Even though the wood based material may have a larger density, this must not be used in the formulas for the load-carrying capacities of the fasteners.

Where an interlayer made of wood-based panel is placed between the Hilti HCW and HCW L and the dowel type fastener, the influence of the interlayer on the load-carrying-capacity of the type of fasteners has to be taken into account.

Annex C states the formulas for the characteristic load-carrying capacities of the connections. The design of the connections shall be in accordance with Eurocode 5 or/and Eurocode 8 a similar national Timber Code.

It is assumed that the forces acting on the connection are the following:  $F_{ax}$ , and  $F_v$ . The force  $F_{ax}$  acts longitudinal to the connector (axial),  $F_v$  can act with an eccentricity with regard to the centre of gravity of Hilti HCW and HCW L and the timber member.

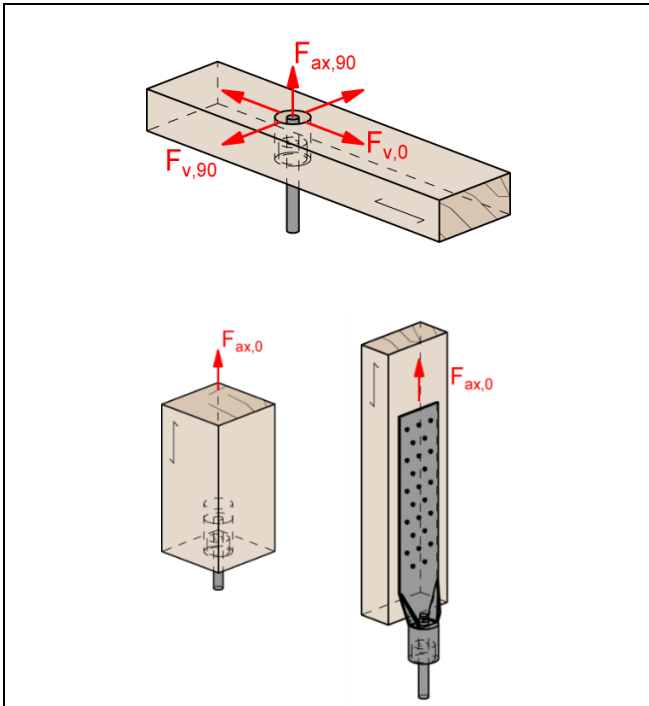


Figure 1: acting forces

It is assumed that the header beam is prevented from rotating. Similarly, it is assumed that the steel member to which the connector is bolted does not rotate. If the header beam only has installed a connector on one side the eccentricity moment  $M_v = F_d \times b_H/2$  shall be considered where  $b_H$  is the header width. The same applies when the header has connections on both sides, but with vertical forces which differ more than 20%.

The connectors are intended for use in connections subject to static or quasi static loading and seismic.

The zinc-coated connectors are for use in timber structures subject to dry, internal conditions defined by the service classes 1 and 2 of EN 1995-1-1, (Eurocode 5). The fasteners (screws and bolts) and threaded rods to be used shall be made from suitable material. It shall be used a M12 with minimum strength class of 4.6.

The scope of the brackets regarding resistance to corrosion shall be defined according to national provisions that apply at the installation site considering environmental conditions.

The provisions made in this European Technical Assessment are based on an assumed intended working life of the screws of 50 years.

The indications given on the working life cannot be interpreted as a guarantee given by the producer or Assessment Body, but are to be regarded only as a means for choosing the right products in relation to the expected economically reasonable working life of the works.

### 3 Performance of the product and references to the methods used for its assessment

---

Characteristic	Assessment of characteristic
<b>3.1 Mechanical resistance and stability*) (BWR1)</b>	
Joint Strength - Characteristic load-carrying capacity	See Annex C
Joint Stiffness	See Annex C
Joint ductility	See Annex C
Resistance to seismic actions	See Annex C
Resistance to corrosion and deterioration	See section 3.5
<b>3.2 Safety in case of fire (BWR2)</b>	
Reaction to fire	The connectors are made from steel classified as Euroclass A1 in accordance with EN13501-1 and Commission Delegated Regulation 2016/364
Resistance to fire	No performance assessed
<b>3.3 General aspects related to the performance of the product</b>	
	The connectors have been assessed as having satisfactory durability and serviceability when used in timber structures using the timber species described in Eurocode 5 and subject to the conditions defined by service class 1 and 2
Identification	See Annex A

---

\*) See additional information in section 3.4 – 3.6.

### 3.4 Aspects related to the performance of the product

The characteristic load-carrying capacities are based on the characteristic values of the connectors.

According to EN 1990 (Eurocode – Basis of Design) the design value of load-carrying capacity can be determined by reducing the characteristic values of the load-carrying capacity with different partial factors.

Therefore, to obtain design values according to the Eurocodes or appropriate national codes of practice, the capacities have to be multiplied with different partial factors for the material properties and – for the connectors mounted in timber – also the coefficient  $k_{mod}$  that takes into account the load duration class.

Thus, the characteristic or design values of the load-carrying capacity are determined as minimum of (see also Annex C):

- timber failure  $F_{v,Rk}$  and  $F_{ax,Rk}$  (obtaining the embedment strength in the timber member of Hilti HCW and HCW L subjected to shear or the withdrawal, respectively as well as for
- steel failure  $F_{t,Rd}$  of Hilti HCW and HCW L as well as for
- failure  $F_{ax,Rk,DT}$  of the Dowel Type fastener subjected to shear or the withdrawal capacity.

The design value of the load-carrying capacity is the smaller value of load-carrying capacities.

$$F_{ax,Rd} = \min \left\{ \begin{array}{l} \frac{k_{mod} \cdot F_{ax,Rk}}{\gamma_M} \\ \frac{F_{t,Rk}}{\gamma_{M,2}} \\ \frac{k_{mod} \cdot F_{ax,Rk,DT}}{\gamma_M} \\ \frac{F_{t,Rk,DT}}{\gamma_{M,2}} \end{array} \right.$$

Therefore, for timber failure the load duration class and the service class are included. The different partial factors  $\gamma_M$  for steel or timber or concrete, respectively, are also correctly taken into account.

Further, the connectors can be fastened to a steel member by M12 bolts in holes with a diameter up to 2 mm larger than the bolt, and to a concrete member by concrete fasteners.

The design models allow the use of fasteners described in Annex A.

### 3.5 Corrosion protection in service class 1 and 2.

The connectors have a zinc coating thickness of 5 microns (5  $\mu\text{m}$ ). Nailing plates < 3 mm thickness has 8 microns for service class 2.

### 3.6 General aspects related to the intended use of the product

A connector joint is deemed fit for its intended use provided: Position holes guarantee exact position for prefabricated wall and ceiling elements. Concrete foundation needs exact position of the concrete fasteners.

#### Header – support conditions

The header beam shall be restrained against rotation.

If the header carries joists only on one side the eccentricity moment from the joists  $M_{ec} = R_{joist} \times b_H/2$  shall be considered at the strength verification of the header.

$R_{joist}$  Reaction force from the joists  
 $b_H$  Width of header

For a header with joists from both sides but with vertical forces which differ more than 20% a similar consideration applies.

#### Timber to timber connections

The connector joint is designed in accordance with Eurocode 5 or an appropriate national code.

The Hilti HCW and HCW L shall be in close contact with the timber to timber over the whole face. There shall be no intermediate layers in between, except static calculations are made for the interlayer.

#### Timber to steel and timber to concrete

The above mentioned rules for timber to timber connections are applicable also for the connection between the joist and the steel-header or concrete-header.

- The connector joint is designed in accordance with Eurocodes 2, 3, 5 or 9 or an appropriate national code.
- The Hilti HCW and HCW L shall be in close contact with the steel or concrete over the whole face. There shall be no intermediate layers in between, except static calculations are made for the interlayer.
- The hole in the steel member shall have a diameter not bigger than 12 mm plus 2 mm.
- Concrete fasteners shall be in accordance with an ETA.

#### **4 Assessment and verification of constancy of performance (hereinafter AVCP) system applied, with reference to its legal base**

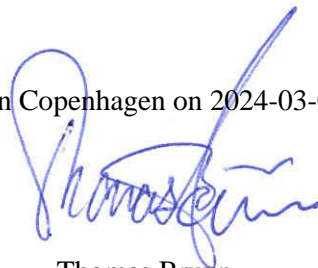
##### **4.1 AVCP system**

According to the decision 97/808/EC of the European Commission<sup>1</sup>, as amended, the system(s) of assessment and verification of constancy of performance (see Annex V to Regulation (EU) No 305/2011) is 2+.

#### **5 Technical details necessary for the implementation of the AVCP system, as provided for in the applicable EAD**

Technical details necessary for the implementation of the AVCP system are laid down in the control plan deposited at ETA-Danmark prior to CE marking.

Issued in Copenhagen on 2024-03-01 by



Thomas Bruun  
Managing Director, ETA-Danmark



## Annex A

### Product description

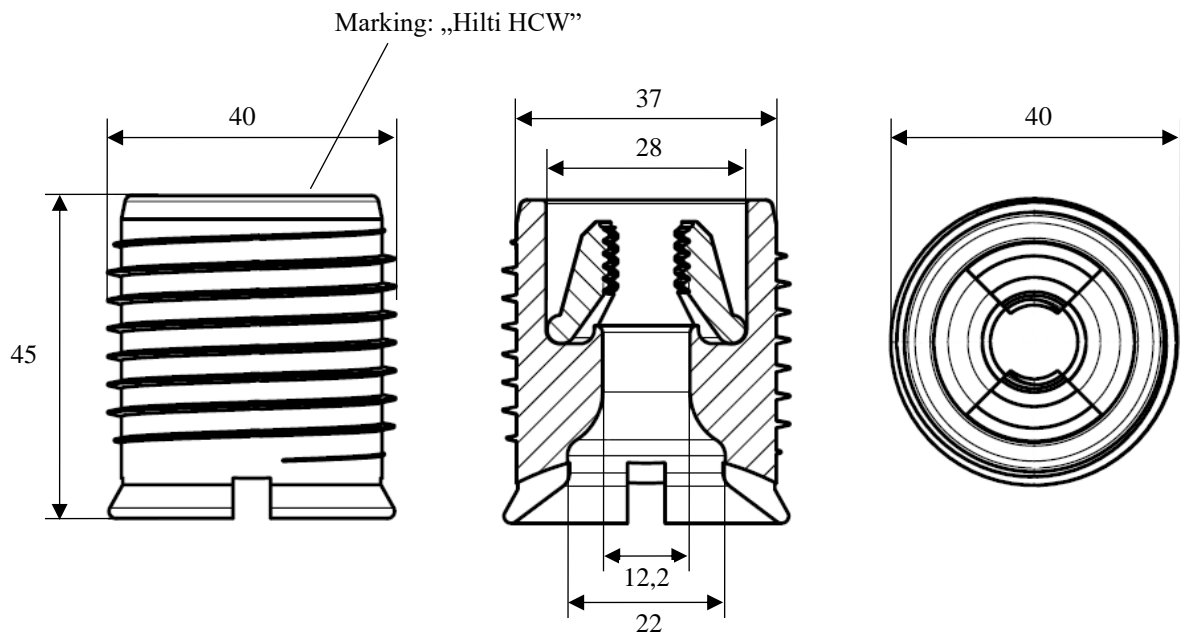
#### Hilti HCW

Outer diameter: 40 mm

Diameter of the body 37 mm

Length: 45 mm

Material Sleeve: 11SMnPb30+C according EN 10277;  
clamping device: 11SMnPb30, 16MnCrS5+C according EN 10277;  
Electroplated zinc coated  $\geq 5 \mu\text{m}$   
(equivalent material may be used and documented in the production inspection documentation)

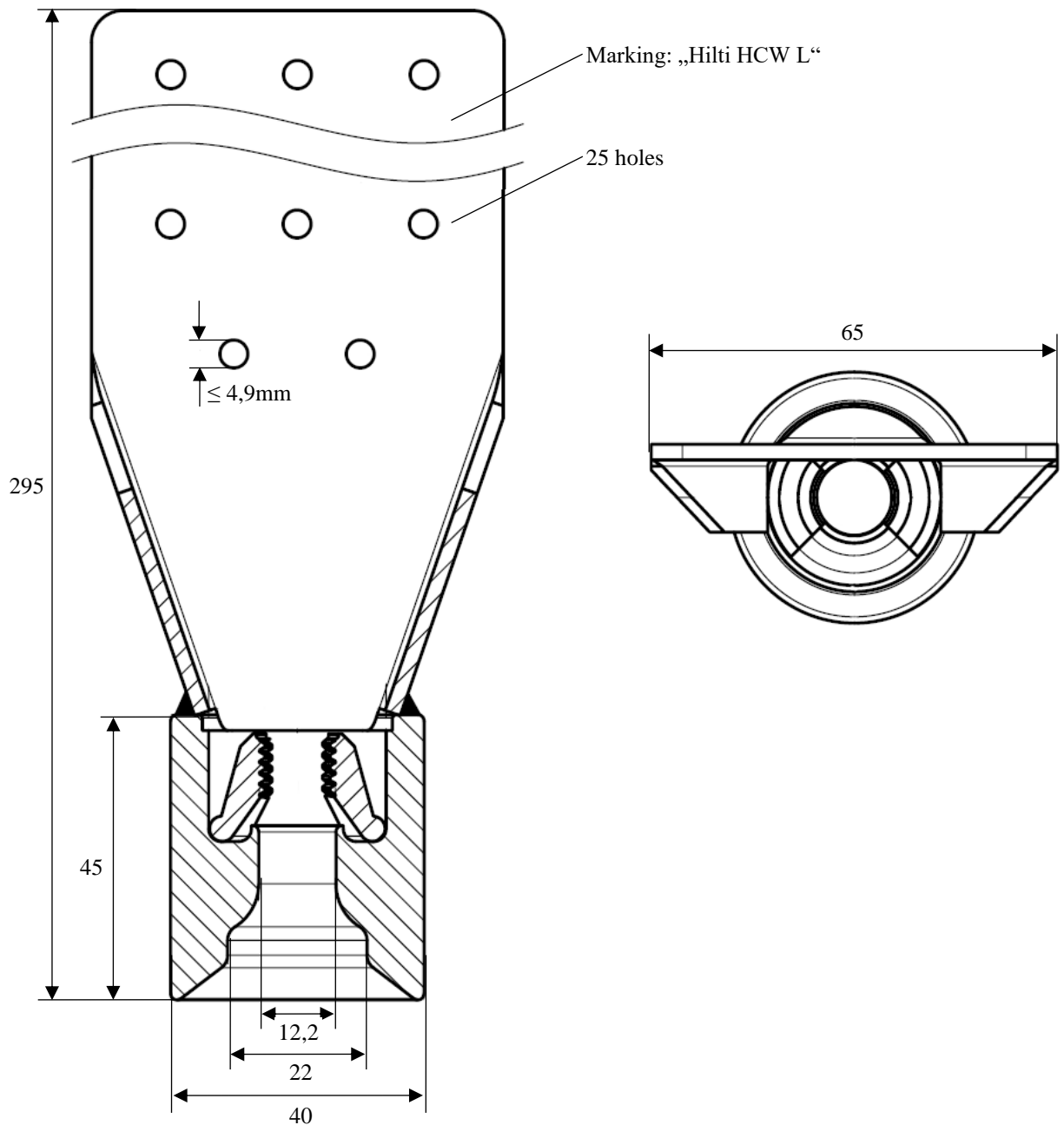


**Annex A**

**Product description**

**Hilti HCW L**

Outer diameter, sleeve:	40 mm	Width, plate	65 mm
Length, sleeve:	45 mm	Thickness, plate	2,5 mm
Length	295 mm	Hole diameter, plate	≤ 4,9 mm
Material	Sleeve and nailing plate: S355J2 according EN 10277 clamping device: 16MnCrS5+C according EN 10277 Electroplated zinc coated ≥ 5 μm (equivalent material may be used and documented in the production inspection documentation)		



## Annex A

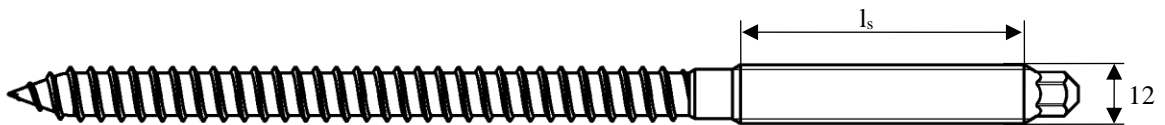
### Product description

#### Fastener type:

- upper side to push into Hilti HCW and HCW L: thread M12 (min.  $l_s = 40$  mm), steel strength  $f_{u,k} \geq 400$  N/mm<sup>2</sup> or material 4.6 or better.
- lower side: timber thread acc. ETA or EN14592 / steel connection acc. EC3 / concrete fastener acc. ETA

#### timber – timber connection

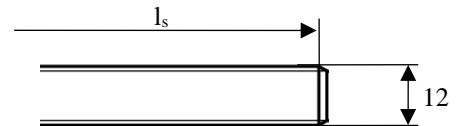
timber thread acc. ETA or EN 14592



e.g. Hilti HSW M12 ...  
timber  
thread acc. EN 14592

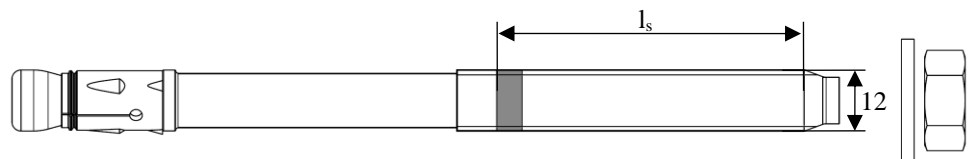
#### timber – steel connection

Steel connection according EC3



#### timber – concrete connection

Concrete fastener according to ETA

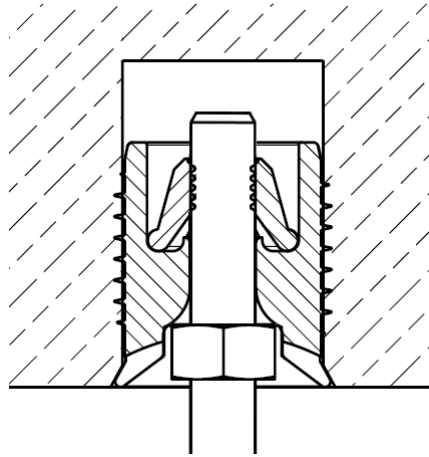


e.g. Hilti HST3 (ETA-98/0001)  
or Hilti HAS-U with Hilti HIT-...

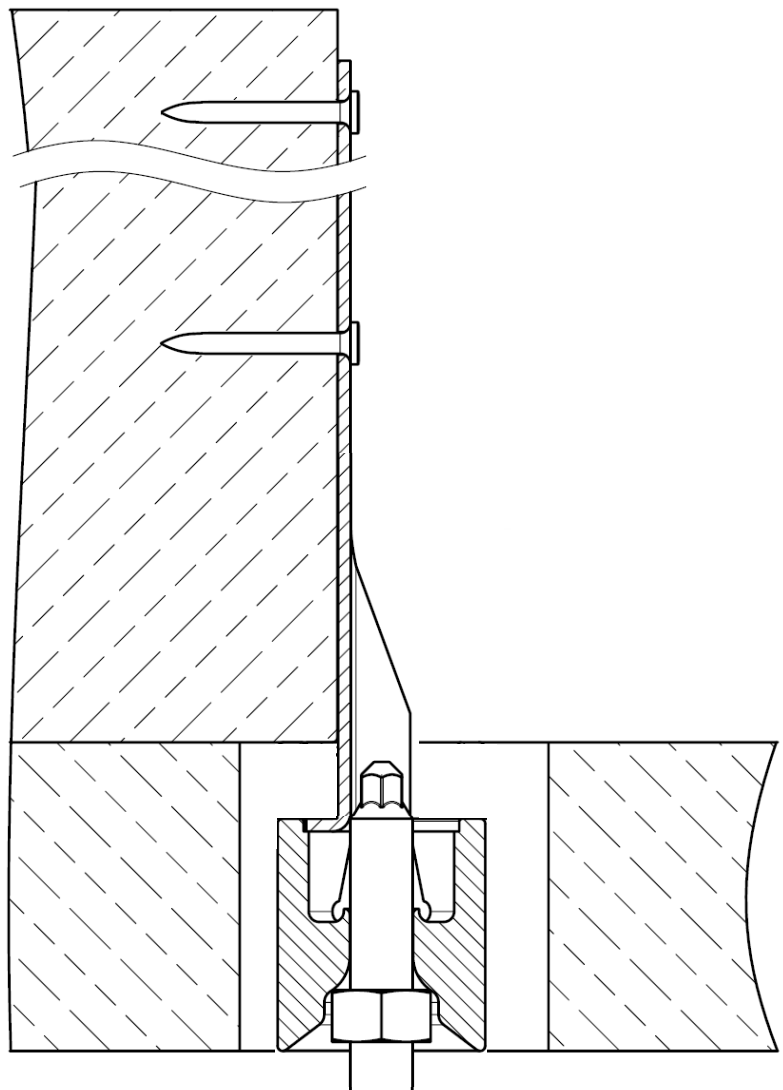
## Annex A

### Product description

**Hilti HCW**  
with installed type fastener



**Hilti HCW L**  
with installed type fastener



## Annex B

### Intended Use

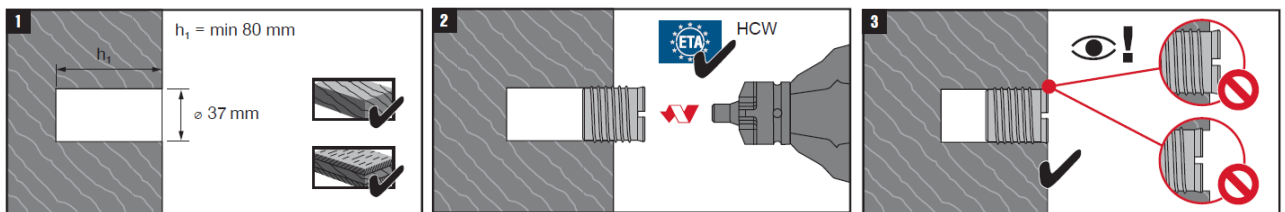
#### Installation parameters

		HCW
Pre-drilling diameter (softwood and hardwood)	$d_0$	37 mm
Minimum drilling depth	$h_1$	80 mm
End- ( $a_3$ ) and edge- ( $a_4$ ) distances	e...	See Annex C, table C.1 and table C.2

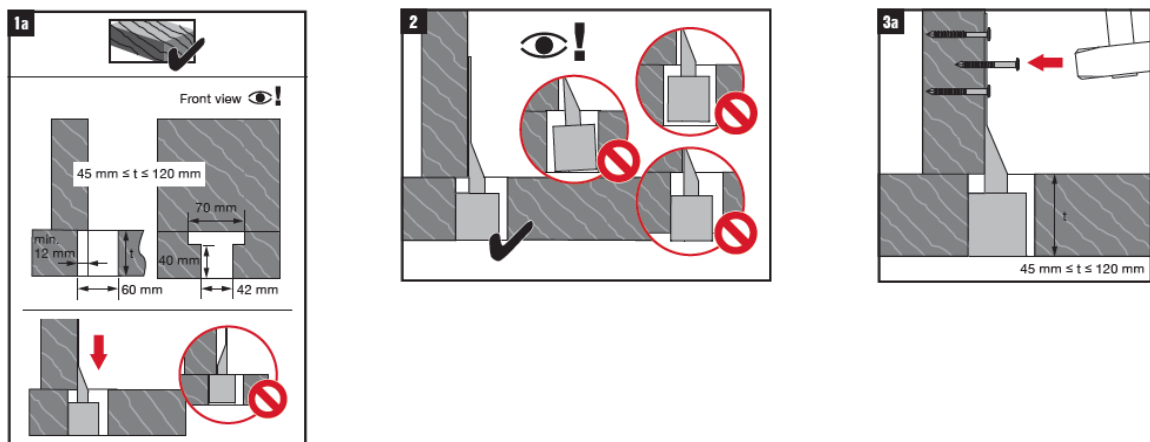
		HCW L
Nail / screw diameter		$d = 4$ mm and a length of $l = 50$ mm <sup>1)</sup> ; (nails and screws according to EN14592 or ETA)
		<sup>1)</sup> For other types and lengths of nails, calculations according to EN 1995-1-1 shall be done.

#### Installation instruction Hilti HCW and HCW L

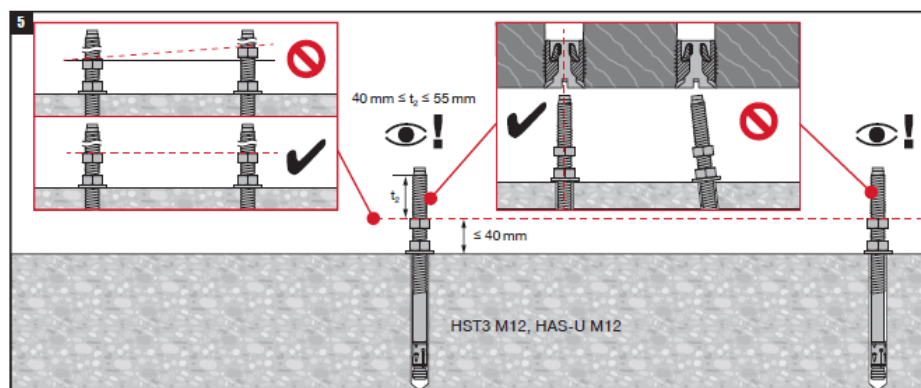
##### Setting HCW



##### Setting HCW L



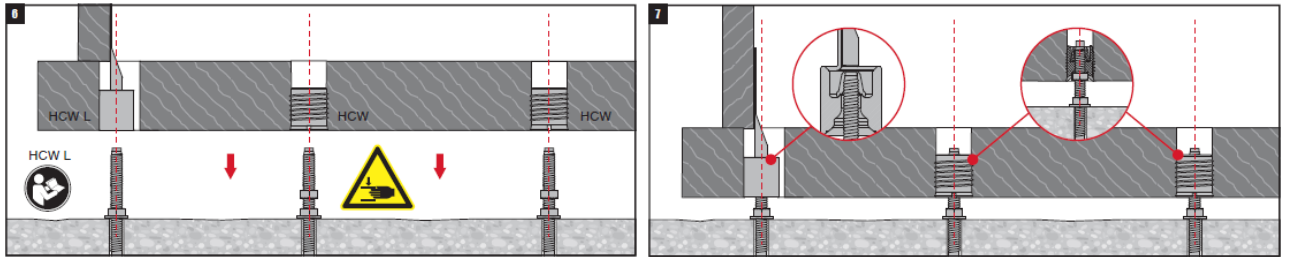
##### Levelling fastener



## Annex B

### Intended Use

Connection of HCW and HCW L to the fastener

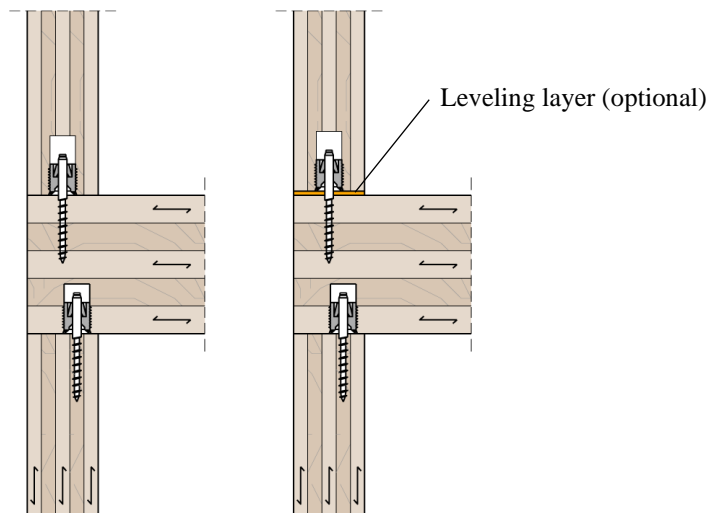
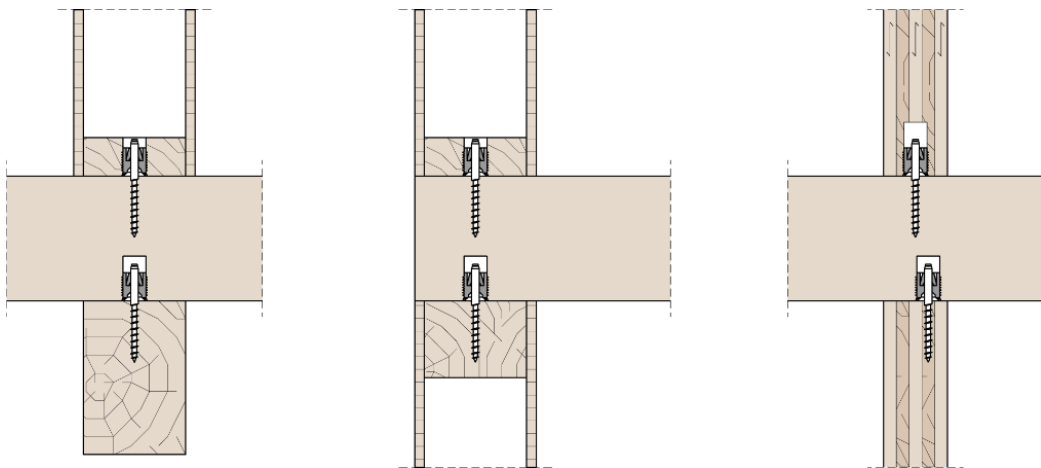


### timber to timber joint

Timber cross sections are only examples (minimum dimension see Annex C)

Timber dimensions according static calculation

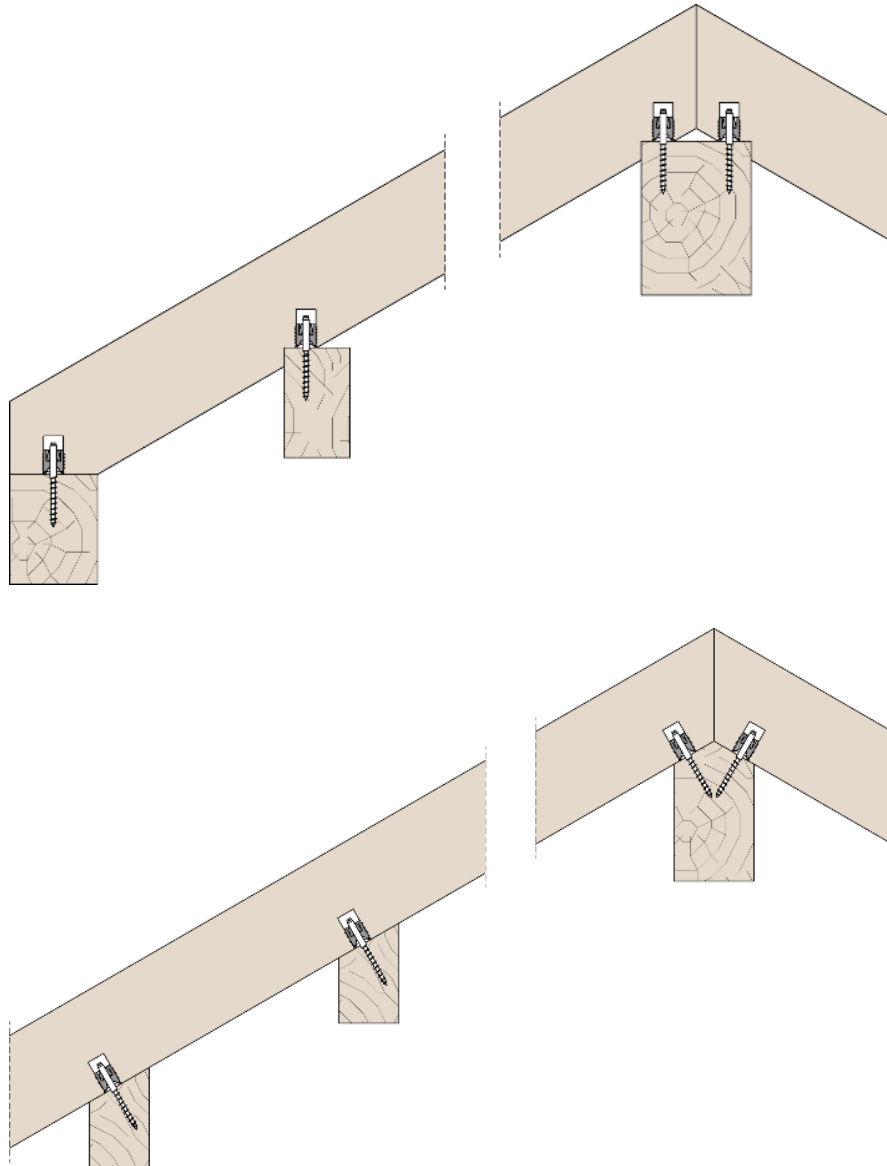
### Wall



## Annex B

### Intended Use

#### Roof



## Annex B

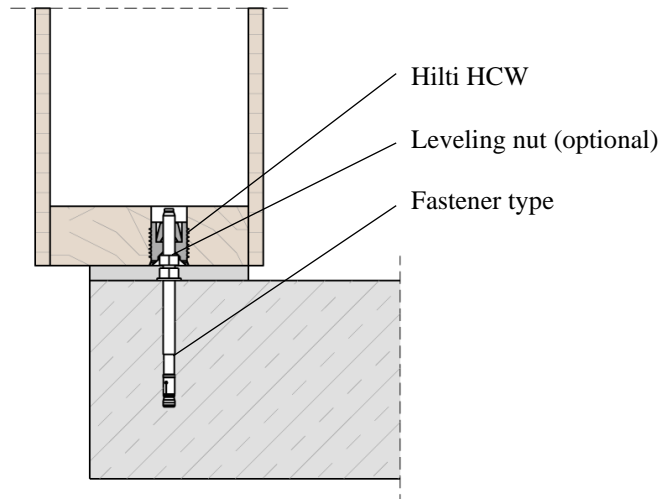
### Intended Use

#### timber to concrete joint

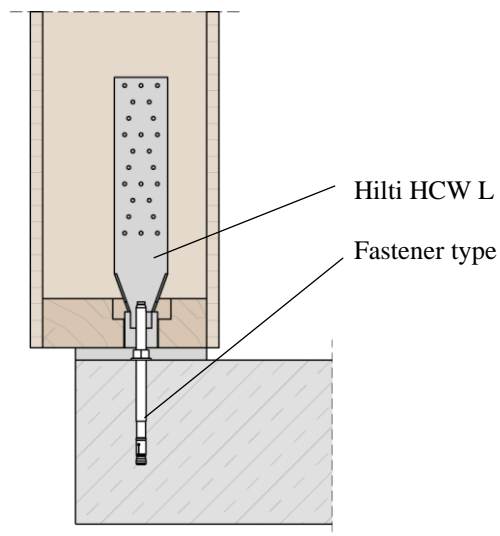
Timber cross sections are only examples (minimum dimension see Annex C)

Timber dimensions according static calculation

Wall – Hilti HCW



Wall – Hilti HCW L

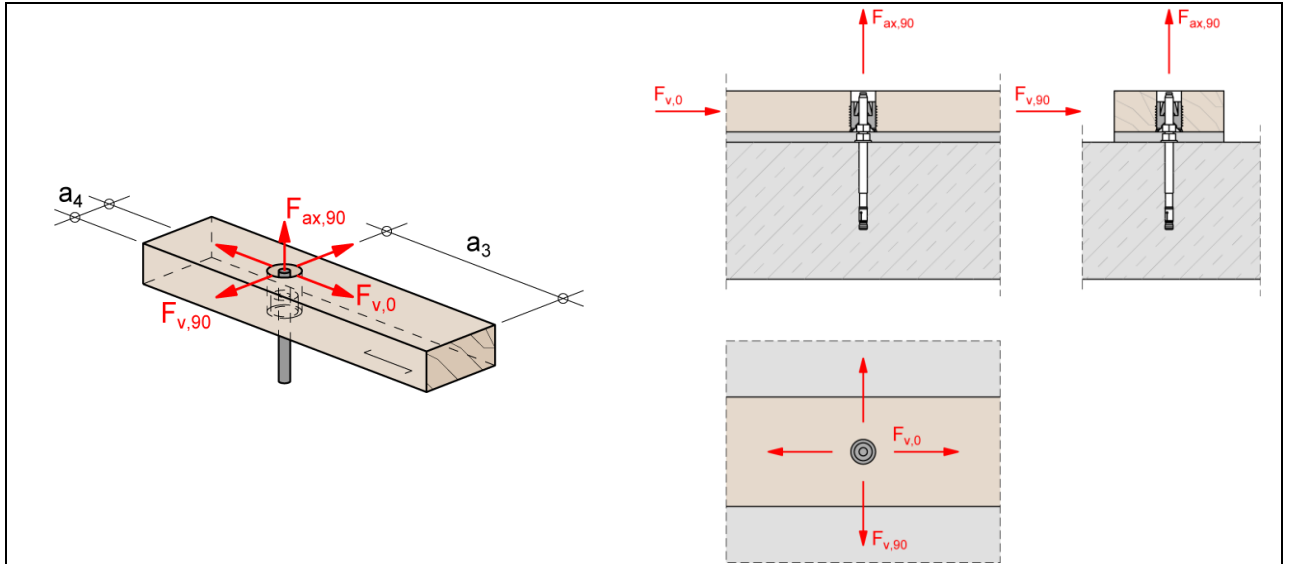




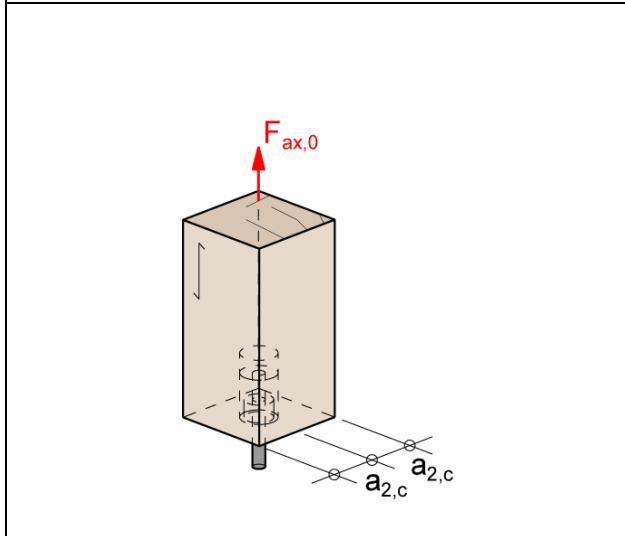
### Annex C

### Performances

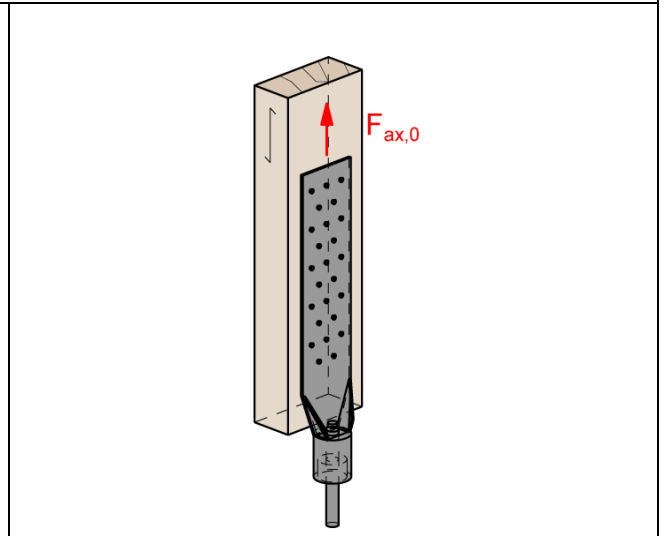
#### General information to load directions:



Cross section  $\geq 80 \times 45 \text{ mm}^2$ , End- and edge-distances, see Table C.1



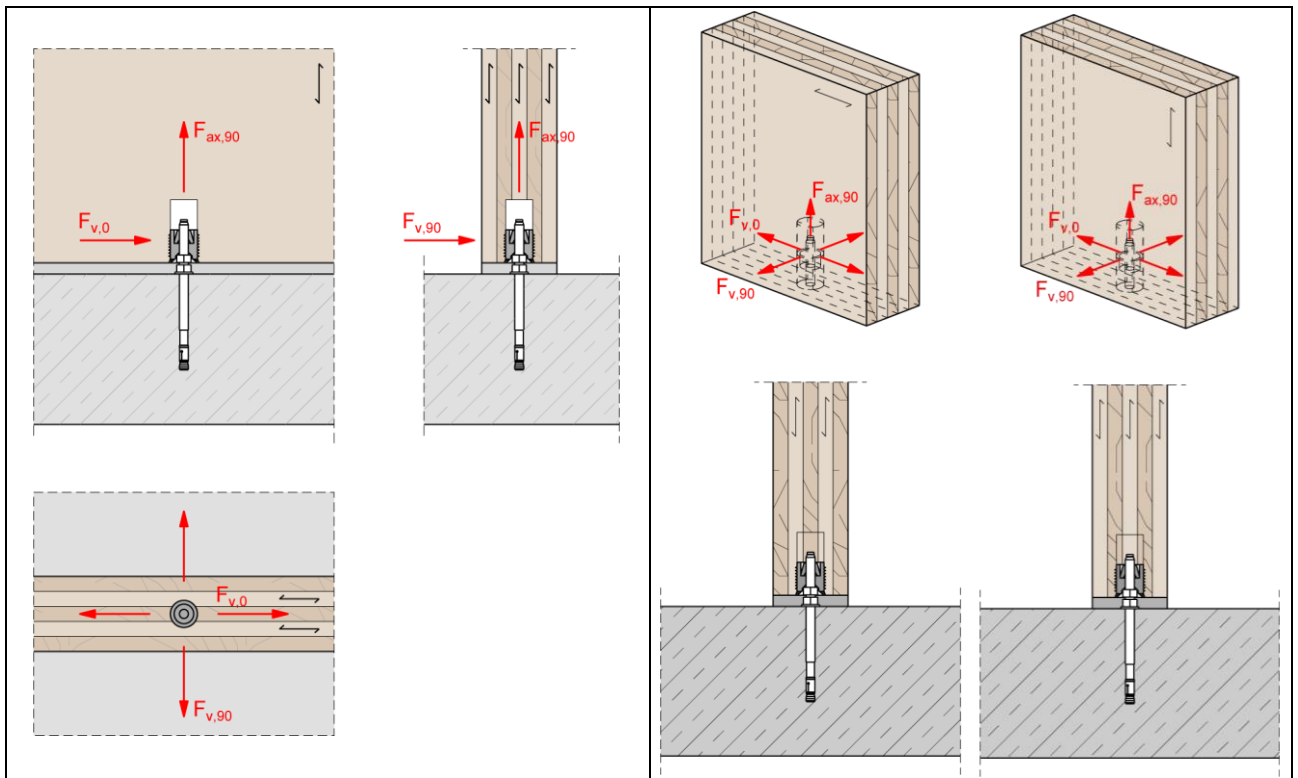
Cross section of column  $\geq 100 \times 100 \text{ mm}^2$   
Side distance  $\geq 50 \text{ mm}$



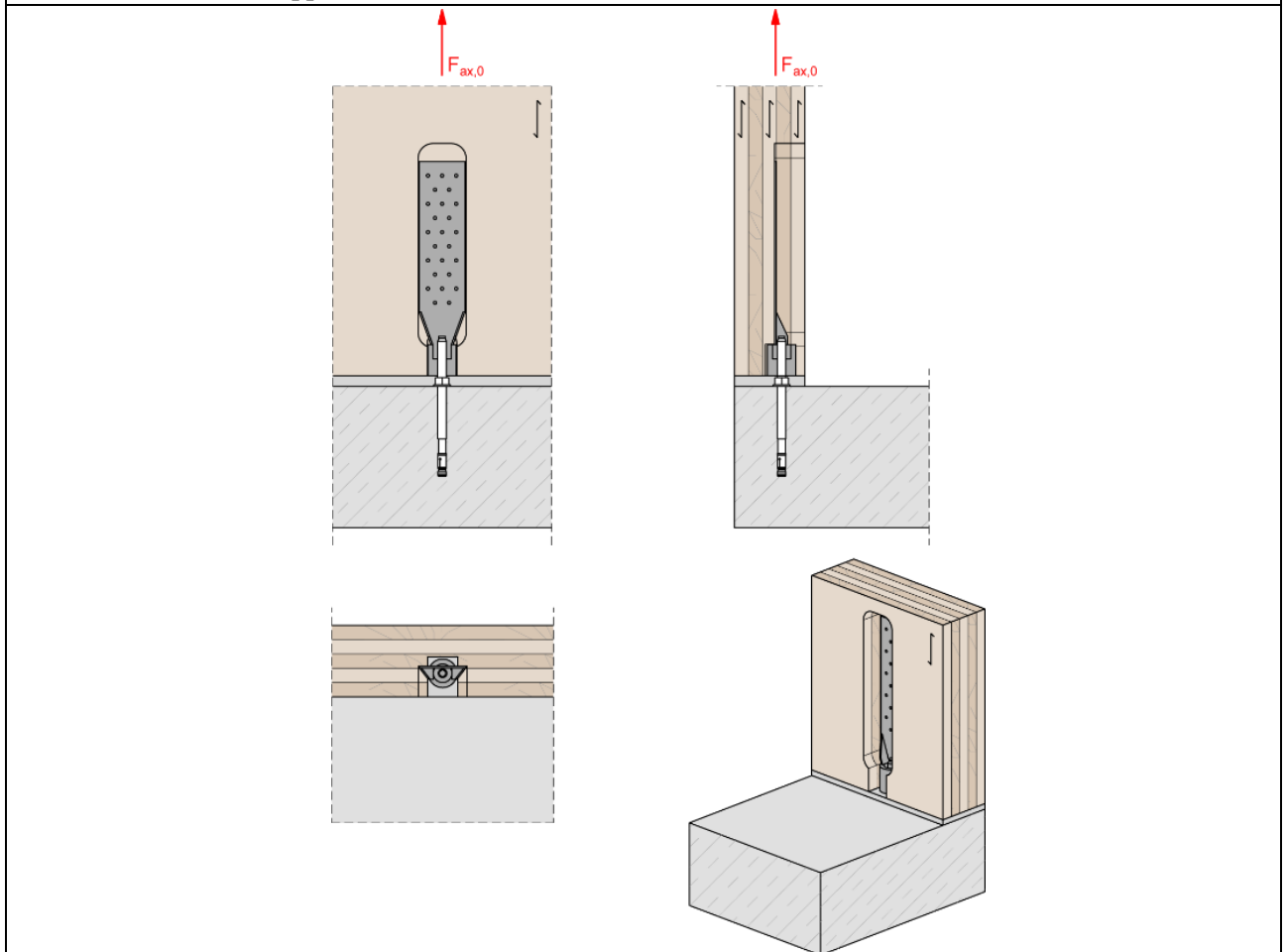
Cross section  $\geq 80 \times 45 \text{ mm}$

### Annex C

### Performances



Load direction in CLT applications for HCW



Load direction in CLT applications for HCW L

## Annex C

## Performances

Table C.1: Load carrying capacities and slip-modules for C24 and engineered wood products ( $\rho_k = 350 \text{ kg/m}^3$ ), e.g. CLT, GL 24 h/c

Parameter	Type	Fastener type		Timber		Characteristic Load carrying capacities [kN]	
		Nails/Screws	Rod	Edge distance (a <sub>4</sub> ) [mm]	Min cross-section [mm <sup>2</sup> ]		
Tension Strength	HCW/ HCW L	-	M12, 4.6	-		$F_{t,Rk}$	30,0
			M12, 8.8				42,0
Axial Strength	HCW L	15 nails 25 nails <sup>2)</sup>	M12, 8.8	-	-	$F_{ax,0,Rk}$	39,0
							45,0
Withdrawal capacity parallel to the grain direction	HCW	-	M12, $\geq 4.6$	$\geq 50$	100 x 100	$F_{ax,0,Rk}$	11,8
Withdrawal capacity perpendicular to the grain	HCW	-	M12, $\geq 4.6$	$\geq 40^1)$	45 x 80	$F_{ax,90,Rk}$	12,3
				$\geq 50^1)$	45 x 100		12,9
Shear strength parallel to the grain direction	HCW	-	M12, $\geq 4.6$	$\geq 40^1)$	45 x 80	$F_{v,0,Rk}$	24,4
				$\geq 50^1)$	45 x 100		28,2
Shear strength perpendicular to the grain direction	HCW	-	M12, $\geq 4.6$	$\geq 40^1)$	45 x 80	$F_{v,90,Rk}$	6,8
				$\geq 50^1)$	45 x 100		7,3
				$\geq 70^1)$	45 x 140		11,8 <sup>3)</sup>
				$\geq 80^1)$	45 x 140		14,8

Notes: <sup>1)</sup> End- distance ( $a_3$ ) is  $\geq 200$  mm.

<sup>2)</sup> For other types, lengths or number of nails, calculations according to EN 1995-1-1 shall be done.

<sup>3)</sup> Shear capacity with tension perpendicular to grain, reinforced with 2 fully threaded screws with a diameter of  $d = 8$  mm.

Table C.2: HCW load carrying capacities with reduced end- and side distances for C24 and engineered wood products ( $\rho_k = 350 \text{ kg/m}^3$ ), e.g. CLT, GL 24h/c:

Parameter	Type	Type of fastener		Timber C24 Distances (a <sub>3</sub> ) and (a <sub>4</sub> ) [mm]	Characteristic Load carrying capacities [kN]	
		Nails/Screws	Threaded rod			
Withdrawal capacity perpendicular to the grain	HCW	-	M12, $\geq 4.6$	$a_3 \geq 50$ mm $a_4 \geq 50$ mm	$F_{ax,90,Rk}$	11,6
				$a_3 \geq 58$ mm $a_4 \geq 40$ mm	$F_{ax,90,Rk}$	6,6

## Annex C

## Performances

**Table C.3: Slip modulus in the Serviceability Service State (SLS) with standard end- and side distances for C24 and engineered wood products ( $\rho_k = 350\text{kg/m}^3$ ), e.g. CLT, GL 24h/c:**

Parameter	Type	Type of fastener		Timber C24		Slip modulus ( $K_{\text{ser}}$ ) [kN/mm]	
		Nails/ Screws	Threaded rod	Edge distance $a_4$ [mm]	Min cross- section [mm <sup>2</sup> ]		
Withdrawal capacity parallel to the grain direction	HCW	-	M12, $\geq 4.6$	$\geq 50$	100 x 100	$K_{\text{ax},0,\text{ser}}$	15,0
Withdrawal capacity perpendicular to the grain	HCW	-	M12, $\geq 4.6$	$\geq 40$	45 x 80	$K_{\text{ax},90,\text{ser}}$	4,5
				$\geq 50$	45 x 100		7,9
Shear strength parallel to the grain direction	HCW	-	M12, $\geq 4.6$	$\geq 40$	45 x 80	$K_{\text{v},0,\text{ser}}$	5,2
				$\geq 50$	45 x 100		5,5
Shear strength perpendicular to the grain direction	HCW	-	M12, $\geq 4.6$	$\geq 40$	45 x 80	$K_{\text{v},90,\text{ser}}$	3,5
				$\geq 50$	45 x 100		4,0
				$\geq 70$	45 x 140		4,0
				$\geq 80$	45x 140		4,0

## Annex C

### Performances

#### C.1 Capacities of timber-to-timber connector joints

##### C.1.1 Axial forces (withdrawal)

$$F_{ax,Rd} = \min \left\{ \begin{array}{l} \frac{k_{mod} \cdot F_{ax,Rk}}{\gamma_M} \\ \frac{F_{t,Rk}}{\gamma_{M,2}} \\ \frac{k_{mod} \cdot F_{ax,Rk,DT}}{\gamma_M} \\ \frac{F_{t,Rk,DT}}{\gamma_{M,2}} \end{array} \right.$$

$F_{ax,Rk}$  ... see table C.1, characteristic withdrawal capacity

$F_{t,Rk}$  ... see table C.1, steel failure of Hilti HCW and HCW L

$F_{ax,Rk,DT}$ ,  $F_{t,Rk,DT}$  ... withdrawal and steel capacity of dowel type connector (see DoP acc. EN 14592 / ETA)

$k_{mod}$  and  $\gamma_M$  ... see EN 1995-1-1

$\gamma_{M,2}$  ... see EN 1993-1-1

$F_{ax,0,Rk}$  in table C.1 for Hilti HCW applies only for short-term (e.g. wind) and instantaneous load duration classes. For all other longer load-duration classes according to EN 1995-1-1:

- For angles  $0^\circ \leq \alpha \leq 45^\circ$  between screw-axis and direction of wood grain,  $F_{ax,k,\alpha}$  is obtained with:

$$f_{ax,k,\alpha} = k_{ax} \cdot f_{ax,k,90^\circ} \quad \text{with: } k_{ax} = 0,3 + \frac{0,7 \cdot \alpha}{45^\circ}$$

- For angles  $45^\circ \leq \alpha \leq 90^\circ$  between screw-axis and direction of wood grain,  $F_{ax,k,\alpha}$  remains constant.

$\alpha$  ... angle between grain direction and screw axis;  $\alpha = 0^\circ$  end grain,  $\alpha = 90^\circ$  side grain

$F_{ax,Rk}$  for timber member with lower or higher strength class as C24: EN 1995-1-1, 8.7 has to be applied.

$$F_{Rk,\rho_a} = \left( \frac{\rho_k}{\rho_a = 350} \right)^{0,8} \cdot F_{Rk}$$

$\rho_a$  ... associated characteristic density in kg/m<sup>3</sup> for the strength class differing of C24

## Annex C

### Performances

#### C.1.2 Shear forces

$$F_{v,Rd} = \min \left\{ \begin{array}{l} \frac{k_{mod} \cdot F_{v,Rk}}{\gamma_M} \\ \frac{k_{mod} \cdot F_{v,Rk;DT}}{\gamma_M} \end{array} \right.$$

$F_{v,Rk}$  ... see table C.1

$F_{v,Rk;DT}$  ... shear capacity of the dowel type connector has to be calculated according EN1995-1-1

$k_{mod}$  and  $\gamma_M$  ... see EN1995-1-1

Effective number of Hilti HCW:  $n_{ef} = n$  for  $a_1 \geq 400$  mm in longitudinal direction of grain.

#### C.2 Capacities of connector joints with bolts (steel connection)

For Hilti HCW and HCW L connected to a steel member using bolts, the calculation of the load-carrying capacity of the connection is based on:

- $K_{ser}$  and  $F_{Rk}$  in table C.1 and table C.2 has to be applied

$$F_{v,Rd} = \frac{k_{mod} \cdot F_{v,Rk}}{\gamma_M}$$

$F_{v,Rk}$  ... see table C.1

For Hilti HCW and HCW L connected to a timber member using bolts or interconnection nuts the calculation of the load-carrying capacity of the connection is:

- $K_{ser}$  and  $F_{Rk}$  in table C.1 and table C.2 has to be applied
- The bolts or interconnection nuts shall always be arranged as the screws they are replacing; characteristic values for the bolts or interconnection nuts have to be calculated according EN 1995-1-1 or acc. ETA of the product
- Sufficient diameter of washers are required for bolts
- The static behavior is the same as for a timber to timber connection with screws. The bolt capacities replace the respective screw capacities in equations C.1.

##### C.2.1 Combined forces

For combined shear and tension forces, the following verifications shall be applied:

- Between HCW and timber member described in section C.4, and
- Between connector and base material steel, the provisions according to EN 1993-1-1 apply.

## Annex C

### Performances

#### C.3 Capacities of connector joints with concrete (fastener connection)

##### C.3.1 Axial forces:

$$F_{ax,Rd} = \min \left\{ \begin{array}{l} \frac{k_{mod} \cdot F_{ax,Rk}}{\gamma_M} \\ \frac{F_{t,Rk}}{\gamma_{M,2}} \\ \min N_{Rd} \end{array} \right.$$

$F_{ax,Rk}$  ... see table C.1, characteristic withdrawal capacity

$k_{mod}$  and  $\gamma_M$  ... see EN1995-1-1

$F_{t,Rk}$  ... see table C.1, steel failure of Hilti HCW and HCW L

$\gamma_{M,2}$  ... see EN1993-1-1

$\min N_{Rd}$  ... decisive tensile capacity of concrete fastener (calculated according EN 1992-4)

##### C.3.2 Shear forces:

$$F_{v,Rd} = \min \left\{ \begin{array}{l} \frac{k_{mod} \cdot F_{v,Rk}}{\gamma_M} \\ \min V_{Rd} \end{array} \right.$$

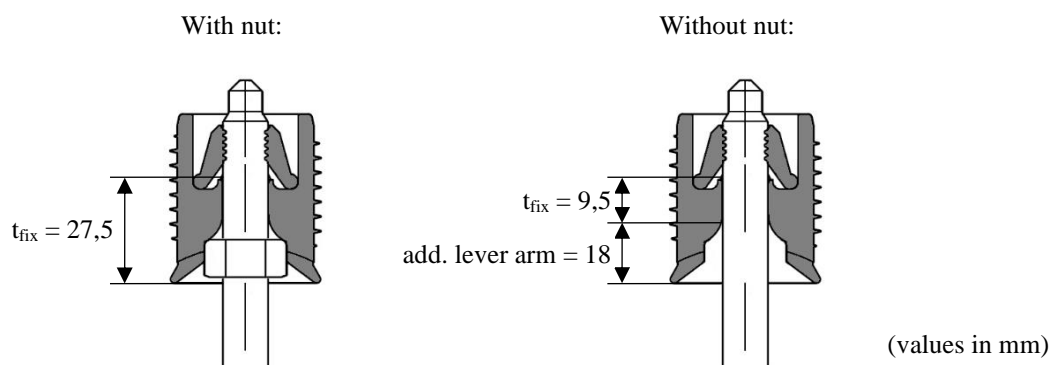
$F_{v,Rk}$  ... see table C.1

$k_{mod}$  and  $\gamma_M$  ... see EN1995-1-1

$\min V_{Rd}$  ... decisive shear capacity of concrete fastener (calculated according EN 1992-4)

Minimum edge distance and minimum spacing of the concrete fasteners must be regarded.

For shear loads acting on the concrete fastener following values shall be used as  $t_{fix}$ :



##### C.3.3 Combined forces

For combined shear and tension forces, the following verifications shall be applied:

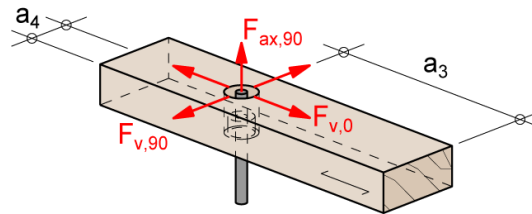
- Between HCW and timber member described in section C.4, and
- Between connector and base material concrete, the provisions according to EN 1992-4 apply.

## Annex C

### Performances

#### C.4 Combined forces (from HCW to the timber member)

In case of combined shear and tension forces transferred from HCW to the timber member, the following verification shall be fulfilled:



$$\left(\frac{F_{ax,90,Ed}}{F_{ax,90,Rd}}\right)^2 + \left(\frac{F_{v,0,Ed}}{F_{v,0,Rd}}\right)^2 + \left(\frac{F_{v,90,Ed}}{F_{v,90,Rd}}\right)^2 \leq 1$$

where:

$$F_{ax,90,Rd} = \frac{k_{mod} \cdot F_{ax,90,Rk}}{\gamma_M}$$

$F_{ax,90,Rk}$  ... see table C.1, characteristic withdrawal capacity

$k_{mod}$  and  $\gamma_M$  ... see EN1995-1-1

$$F_{v,0,Rd} = \frac{k_{mod} \cdot F_{v,0,Rk}}{\gamma_M}$$

$F_{v,0,Rk}$  ... see table C.1

$k_{mod}$  and  $\gamma_M$  ... see EN1995-1-1

$$F_{v,90,Rd} = \frac{k_{mod} \cdot F_{v,90,Rk}}{\gamma_M}$$

$F_{v,90,Rk}$  ... see table C.1

$k_{mod}$  and  $\gamma_M$  ... see EN1995-1-1

#### C.5 Seismic behavior and Classes of Ductility of the Connectors

##### C.5.1 Ductility classes

Depending on their ductile behavior and energy dissipation capacity under seismic actions, timber buildings shall be assigned to a ductility class (DC) as given in EN 1998. To use the HCW and HCW L Connector for an earthquake design a classification given Table C.4.1 should be assumed.

**Table C.4.1: Ductility classes**

HCW type	Fasteners Type	Threaded rod	Load direction	Static ductility	Design Concept and Ductility Classes according to EN 1998-1
HCW L	Fully nailed (25 nails)	M12 ≤ 8.8	$F_{ax,0}$	2	DCL
	Partially nailed (15 nails)			4	DCM
HCW	-	M12 ≤ 8.8	$F_{ax,90}$	2	DCL
			$F_{v,0}$	4	DCM

*Note: The design concepts in accordance to EN 1998 must be considered. Geographical limitations on the use of ductility classes M may be found in the relevant National Annex.*



## Europäische Technische Bewertung ETA-21/0357 vom 01.03.2024

Übersetzung der Hilti Deutschland AG – Originalfassung in englischer Sprache

| Allgemeiner Teil

**Technische Bewertungsstelle, die die ETA ausstellt und gemäß Artikel 29 der Verordnung (EU) Nr. 305/2011 benannt wurde: ETA-Danmark A/S**

**Handelsname des Bauprodukts:**

Befestigungselement Hilti HCW, HCW L

**Produktfamilie, zu der das obige Bauprodukt gehört:**

Dreidimensionale Nagelplatte (verdeckte Balkenabhänger)

**Hersteller:**

Hilti AG  
Feldkircherstrasse 100  
9494 Schaan  
Fürstentum Liechtenstein

**Herstellungsbetrieb:**

Hilti Werke

**Diese Europäische Technische Bewertung enthält:**

23 Seiten, davon 3 Anhänge, die fester Bestandteil des Dokuments sind

**Diese Europäische Technische Bewertung wurde gemäß der Verordnung (EU) Nr. 305/2011 ausgestellt, auf der Grundlage von:  
Diese Version ersetzt:**

EAD 130186-00-0603 für dreidimensionale Nagelplatten

Die ETA mit der gleichen Nummer, ausgestellt am 2022-04-25.

Übersetzungen dieser Europäischen Technischen Bewertung in andere Sprachen müssen dem ausgestellten Originaldokument vollständig entsprechen und sollten als solche gekennzeichnet sein.

Die Übermittlung dieser Europäischen Technischen Bewertung, einschließlich der elektronischen Übermittlung, muss vollständig erfolgen (mit Ausnahme der vertraulichen Anhänge, auf die oben verwiesen wurde). Mit schriftlicher Zustimmung der ausstellenden Technischen Bewertungsstelle kann jedoch eine teilweise Wiedergabe erfolgen. Jede teilweise Wiedergabe ist als solche zu kennzeichnen.

## II BESONDERER TEIL DER EUROPÄISCHEN TECHNISCHEN BEWERTUNG

### 1 Technische Beschreibung des Produkts und Verwendungszweck

#### Technische Beschreibung des Produkts

Hilti HCW und HCW L sind zweiteilige Verbinder für Holz-Holz-Verbindungen sowie Verbindungen zwischen Holz- und Stahlbauteilen oder Holz- und Betonbauteilen.

Hilti HCW und HCW L hat einen Durchmesser von 40 mm und wird in vorgebohrte Löcher von Holzbauteilen montiert (siehe Anhang A). Das stiftförmige Verbindungselement hat ein Ende mit M12 zum Einschieben in den Verbinder. Das stiftförmige Verbindungselement wird von der Klemmvorrichtung fixiert, so dass die Verbindung sofort tragfähig ist.

Stiftförmige Verbindungselemente können sein:

- Gewindestange M12 (mindestens 4.6 Festigkeit) für Stahlverbindungen oder Holzverbindungen mit Bolzen
- Betondübel mit ETA und M12-Anschluss (Stahlfestigkeit  $f_{u,k} \geq 500 \text{ N/mm}^2$ )
- Holzschraube gemäß EN14592 oder ETA mit M12-Anschluss (Stahlfestigkeit  $f_{u,k} \geq 400 \text{ N/mm}^2$ )

#### Geometrie und Material

Die Verbinder sind aus Kohlenstoffstahl nach EN 10277 hergestellt und verzinkt. Die Abmessungen sind in Anhang A und typische Installationen sind in Anhang B aufgeführt.

### 2 Spezifizierung des Verwendungszwecks gemäß dem anwendbaren Europäischen Bewertungsdokument (EAD)

Die Verbinder sind für die Herstellung von Hirnholz-Seitenholz-Verbindungen, Hirnholz-Hirnholz-Verbindungen, Seitenholz-Seitenholz-Verbindungen in tragenden Holzkonstruktionen als Verbindung zwischen einem Holz- bzw. Holzwerkstoffträger und einem Massivholzträger (Weich- oder Hartholz) oder Holzwerkstoffträger vorgesehen, bei denen Anforderungen an die mechanische Festigkeit und Standsicherheit sowie die Nutzungssicherheit im Sinne der grundlegenden Bauanforderungen 1 und 4 der Verordnung (EU) 305/2011 zu erfüllen sind.

Sie sind auch zur Verwendung bei der Herstellung einer Hirn- oder Seitenholzverbindung zwischen einem Holzträger und einem Stahl- oder Betonelement vorgesehen.

Die Verbinder können als Verbindungen zwischen Holzbauteilen installiert werden, wie zum Beispiel:

- Konstruktives Vollholz aus Weich- oder Hartholzer nach EN 338 / EN 14081,

- Brettschichtholz aus Weich- oder Hartholz, klassifiziert nach EN 1194 / EN 14080, oder mit ETA oder nationaler Zulassung
- LVL gemäß EN 14374 oder ETA
- Parallam PSL,
- Intrallam LSL,
- Duo- und Triobalken,
- Brettsperrholz und ähnliche strukturell verleimte Produkte nach EN 16351 oder ETA.
- Holzwerkstoffe und Massivholzplatten nach EN 13986 oder ETA, wobei die Bestimmungen der ETA des Holzwerkstoffes gelten.
- Holzwerkstoffe gemäß ETA. Wenn die ETA des Produkts Bestimmungen für die Verwendung von selbstschneidenden Schrauben enthält, gelten die Bestimmungen der ETA des Holzwerkstoffes.

Die Berechnungsverfahren sind jedoch nur für eine charakteristische Holzdichte bis  $590 \text{ kg/m}^3$  für Weichholz und für Hartholz zulässig. Auch wenn der Holzwerkstoff eine größere Dichte aufweisen kann, darf diese in den Formeln für die Tragfähigkeiten der Verbinder nicht verwendet werden.

Wird zwischen Hilti HCW und HCW L und dem stiftförmigen Verbindungselement eine Zwischenschicht aus Holzwerkstoff verlegt, ist der Einfluss der Zwischenschicht auf die Tragfähigkeit des stiftförmigen Verbindungselements zu berücksichtigen.

Anhang C enthält die Formeln für die charakteristischen Tragfähigkeiten der Verbindungen. Die Ausführung der Anschlüsse muss dem Eurocode 5 oder ähnlichen nationalen Holzbauvorschriften entsprechen.

Es wird davon ausgegangen, dass die auf die Verbindung wirkenden Kräfte wie folgt sind:  $F_{ax}$ , und  $F_v$ . Die Kraft  $F_{ax}$  wirkt längs zum Verbinder (axial),  $F_v$  kann mit einer Exzentrizität zum Schwerpunkt von Hilti HCW und HCW L und dem Holzbauteil wirken.

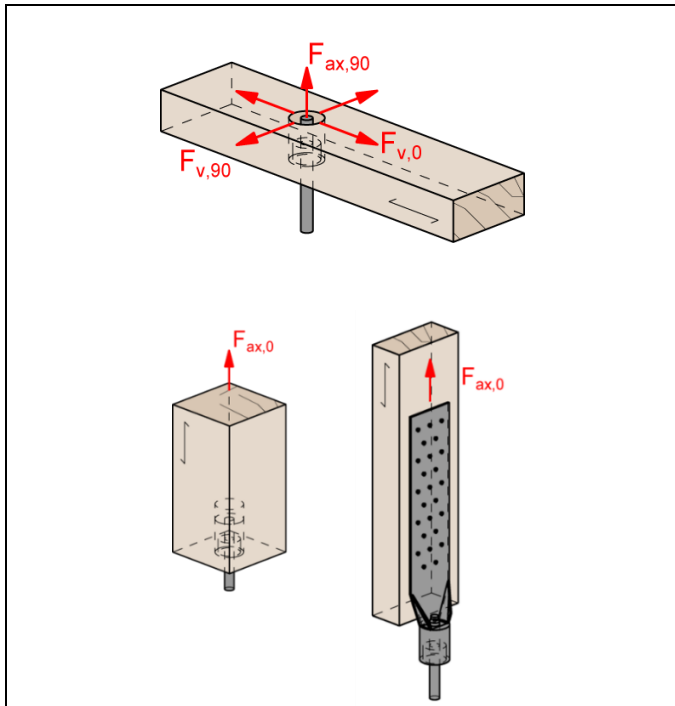


Abbildung 1: Lastrichtungen

Es wird davon ausgegangen, dass der Balkenträger am Drehen gehindert wird. In ähnlicher Weise wird angenommen, dass sich das Stahlelement, an dem der Verbinder angeschraubt ist, nicht dreht. Wenn der Balkenträger nur einseitig mit einem Verbinder versehen ist, ist das Exzentrizitätsmoment  $M_v = F_d \times b_H/2$  zu berücksichtigen, wobei  $b_H$  die Kopfbreite ist. Gleiches gilt, wenn der Balkenträger beidseitig Anschlüsse hat, jedoch Vertikalkräften auftreten, die um mehr als 20 % voneinander abweichen.

Die Verbinder sind für den Einsatz in Verbindungen mit statischer oder quasi-statischer Belastung vorgesehen.

Die verzinkten Verbinder sind für den Einsatz in Holzbauwerken unter Bedingungen trockener Innenräume gemäß den Nutzungsklassen 1 und 2 der EN 1995-1-1, (Eurocode 5) bestimmt. Die zu verwendenden Befestigungsmittel (Schrauben und Bolzen) müssen aus geeignetem Material sein. Es muss ein M12 mit einer Mindestfestigkeit 4.6 verwendet werden.

Der Anwendungsbereich der Klemmvorrichtung bezüglich der Korrosionsbeständigkeit ist gemäß den am Installationsort geltenden nationalen Bestimmungen unter Berücksichtigung der Umgebungsbedingungen festzulegen.

Die in dieser Europäischen Technischen Bewertung getroffenen Bestimmungen basieren auf einer angenommenen vorgesehenen Nutzungsdauer der Verbinder von 50 Jahren.

Die Angaben zur Nutzungsdauer können nicht als Garantie des Herstellers oder der bewertenden Stelle interpretiert werden, sondern sind nur als Mittel zur

Auswahl der richtigen Produkte im Hinblick auf die zu erwartende wirtschaftlich angemessene Nutzungsdauer des Bauwerkes zu verstehen.

### **3 Leistung des Produkts und Angabe der Methoden seiner Bewertung**

---

<b>Merkmal</b>	<b>Bewertung des Merkmals</b>
<b>3.1 Mechanische Festigkeit und Standsicherheit*) (BWR1)</b>	
Tragfähigkeit der Verbindung – charakteristische Tragfähigkeit	Siehe Anhang C
Steifigkeit der Verbindung	Siehe Anhang C
Duktilität der Verbindung	Siehe Anhang C
Tragfähigkeit unter Erdbebenbeanspruchung	Siehe Anhang C
Beständigkeit gegen Korrosion und Alterung	Siehe Kapitel 3.5
<b>3.2 Brandschutz (BWR 2)</b>	
Brandverhalten	Die Verbinder bestehen aus Stahl der Euroklasse A1 gemäß EN 13501-1 und der Delegierten Verordnung der Kommission 2016/364
Brandwiderstand	Keine Leistung bewertet
<b>3.3 Allgemeine Aspekte in Bezug auf die Leistung des Produkts</b>	
	Die Verbinder wurden mit zufriedenstellender Dauerhaftigkeit und Gebrauchstauglichkeit bewertet, wenn sie in Holzkonstruktionen unter Verwendung der in Eurocode 5 beschriebenen Holzarten und unter den Bedingungen der Nutzungsklassen 1 und 2 verwendet werden.
Identifizierung	Siehe Anhang A

---

\*) Siehe zusätzliche Informationen in Abschnitt 3.4 - 3.6.

### 3.4 Aspekte in Bezug auf die Leistung des Produkts

Die charakteristischen Tragfähigkeiten basieren auf den charakteristischen Werten der Verbinder.

Nach EN 1990 (Eurocode – Bemessungsgrundlagen) kann der Bemessungswert der Tragfähigkeit bestimmt werden, indem die charakteristischen Werte der Tragfähigkeit mit verschiedenen Teilbeiwerten abgemindert werden.

Um Bemessungswerte nach Eurocodes bzw. entsprechenden nationalen Regelwerken zu erhalten, müssen daher die Tragfähigkeiten mit verschiedenen Teilbeiwerten für die Materialeigenschaften und – bei den in Holz montierten Verbindern – auch mit dem die Lasteinwirkungsdauer berücksichtigenden Modifikationsbeiwert  $k_{mod}$  multipliziert werden.

Daher werden die charakteristischen Werte bzw. die Bemessungswerte der Tragfähigkeit bestimmt als Minimum aus (siehe auch Anhang C):

- Holzversagen  $F_{v,Rk}$  und  $F_{ax,Rk}$  (Berücksichtigt den Verankerungswiderstand im Holzbauteil von Hilti HCW und HCW L, die einer Scher- oder Zugbeanspruchung ausgesetzt sind)
- Stahlversagen  $F_{t,Rd}$  von Hilti HCW und HCW L
- Versagen  $F_{ax,Rk,DT}$  des stiftförmigen Verbindungselements unter Scher- oder Zugbeanspruchung.

Der Bemessungswert der Tragfähigkeit ist der kleinere Wert der einzelnen Bemessungswerte.

$$F_{ax,Rd} = \min \left\{ \begin{array}{l} \frac{k_{mod} \cdot F_{ax,Rk}}{\gamma_M} \\ \frac{F_{t,Rk}}{\gamma_{M,2}} \\ k_{mod} \cdot F_{ax,Rk,DT} \\ \frac{\gamma_M}{\frac{F_{t,Rk,DT}}{\gamma_{M,2}}} \end{array} \right.$$

Daher werden beim Holzversagen die Lasteinwirkungsdauer und die Nutzungsklasse berücksichtigt. Auch die unterschiedlichen Teilbeiwerte  $\gamma_M$  für Stahl, Holz oder Beton werden korrekt berücksichtigt.

Darüber hinaus können die Verbinder an einem Stahlbauteil mit M12-Gewindebolzen in Löchern mit einem Durchmesser von bis zu 2 mm größer als der Bolzen und an einem Betonbauteil mit Betondübeln befestigt werden.

Die Bemessungsmodelle erlauben die Verwendung der in Anhang A beschriebenen Verbindungselemente.

### 3.5 Korrosionsschutz in Nutzungsklasse 1 und 2.

Die Verbinder haben eine Zinkschichtdicke von 5 Mikrometer (5  $\mu\text{m}$ ). Nagelplatten < 3 mm Dicke haben 8 Mikrometer für die Nutzungsklasse 2.

### 3.6 Allgemeine Aspekte in Bezug auf den Verwendungszweck des Produkts

Eine Verbindung mit den Verbindern gilt als für den vorgesehenen Verwendungszweck geeignet, wenn Positionslöcher eine exakte Position für vorgefertigte Wand- und Deckenelemente garantieren. Das Betonfundament benötigt eine genaue Position der Betondübel.

#### Balkenträger – Auflagerbedingungen

Der Balkenträger muss gegen Drehung gesichert sein.

Wenn der Balkenträger nur einseitig aufliegende Träger trägt, ist das Exzentrizitätsmoment der Träger  $M_{ec} = R_{joist} \times b_H/2$  beim Tragfähigkeitsnachweis des Balkenträgers zu berücksichtigen.

$R_{joist}$  Reaktionskraft aus den aufliegenden Trägern  
 $b_H$  Breite des Balkenträgers

Bei einem Balkenträger mit beidseitig aufliegenden Trägern, aber mit Vertikalkräften, die um mehr als 20 % abweichen, gilt eine ähnliche Betrachtung.

#### Holz-Holz-Verbindungen

Die Verbindungsstelle ist nach Eurocode 5 oder einem entsprechenden nationalen Bemessungsdokument auszulegen.

Hilti HCW und HCW L Verbindungen müssen über die gesamte Verbindungsfläche in direktem Holz-zu-Holz Kontakt stehen. Dazwischen dürfen keine Zwischenschichten liegen, es sei denn, es erfolgen statische Berechnungen für die Zwischenschicht.

#### Holz auf Stahl und Holz auf Beton

Die oben genannten Regeln für Holz-Holz-Verbindungen gelten auch für die Verbindungen mit aufliegenden Holzträgern auf Stahl- oder Betonbalken

- Die Verbindung ist nach den Eurocodes 2, 3, 5 oder 9 oder einem entsprechenden nationalen Bemessungsdokument auszulegen.
- Hilti HCW und HCW L müssen über die gesamte Verbindungsfläche in direktem Kontakt mit dem Stahl oder Beton stehen. Dazwischen dürfen keine Zwischenschichten liegen, es sei denn, es erfolgen statische Berechnungen für die Zwischenschicht.
- Das Loch im Stahlbauteil darf einen Durchmesser von nicht größer als 12 mm plus 2 mm haben.
- Betondübel müssen einer ETA entsprechen.

## **4 Bewertung und Überprüfung der Leistungsbeständigkeit (AVCP)**

### **4.1 AVCP-System**

Gemäß der Entscheidung 97/808/EG der Europäischen Kommission, in der geänderten Fassung, gilt das System 2+ zur Bewertung und Überprüfung der Leistungsbeständigkeit (siehe Anhang V der Verordnung (EU) Nr. 305/2011).

## **5 Technische Einzelheiten für die Umsetzung des AVCP-Systems, gemäß des anwendbaren EAD**

Die technischen Einzelheiten, die für die Umsetzung des AVCP-Systems erforderlich sind, werden in dem bei der ETA-Danmark hinterlegten Prüfplan vor der CE-Kennzeichnung festgelegt.

Ausgestellt in Copenhagen am 01.03.2024 von

Thomas Bruun  
Managing Director, ETA-Danmark

## Anhang A

### Produktbeschreibung

#### Hilti HCW

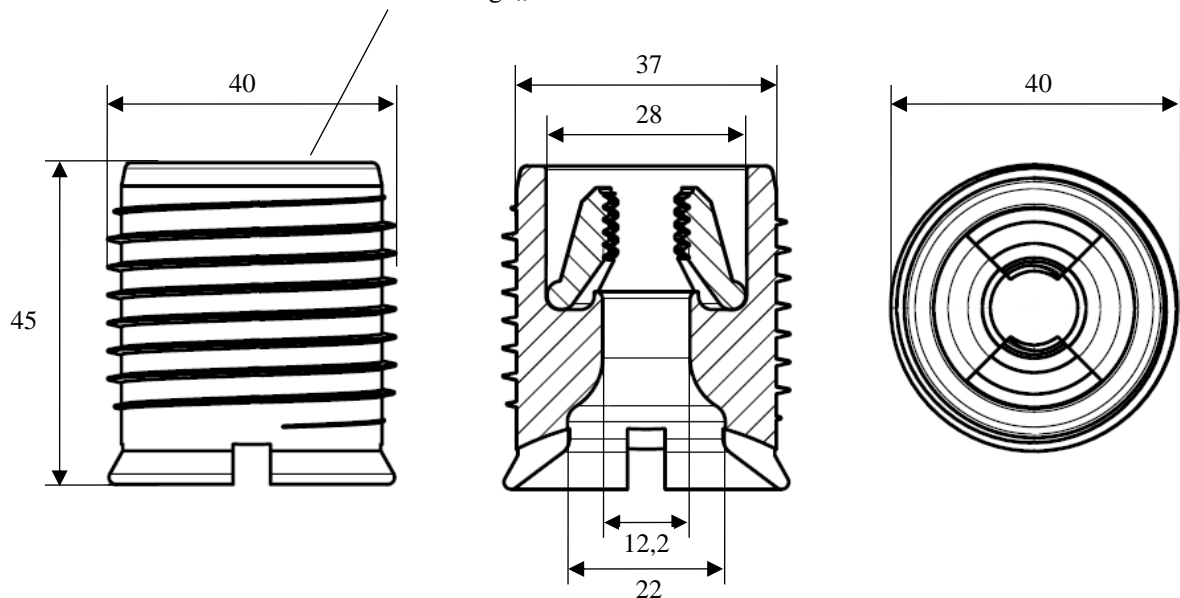
Außendurchmesser: 40 mm

Durchmesser des Körpers: 37 mm

Länge: 45 mm

Material: Hülse: 11SMNPB30+C gemäß EN 10277;  
Klemmvorrichtung: 11SMNPB30, 16MnCrS5+C gemäß EN 10277;  
Galvanisch verzinkt  $\geq 5 \mu\text{m}$   
(gleichwertiges Material darf verwendet und muss in der  
Fertigungsprüfdokumentation dokumentiert werden)

Kennzeichnung: „Hilti HCW“





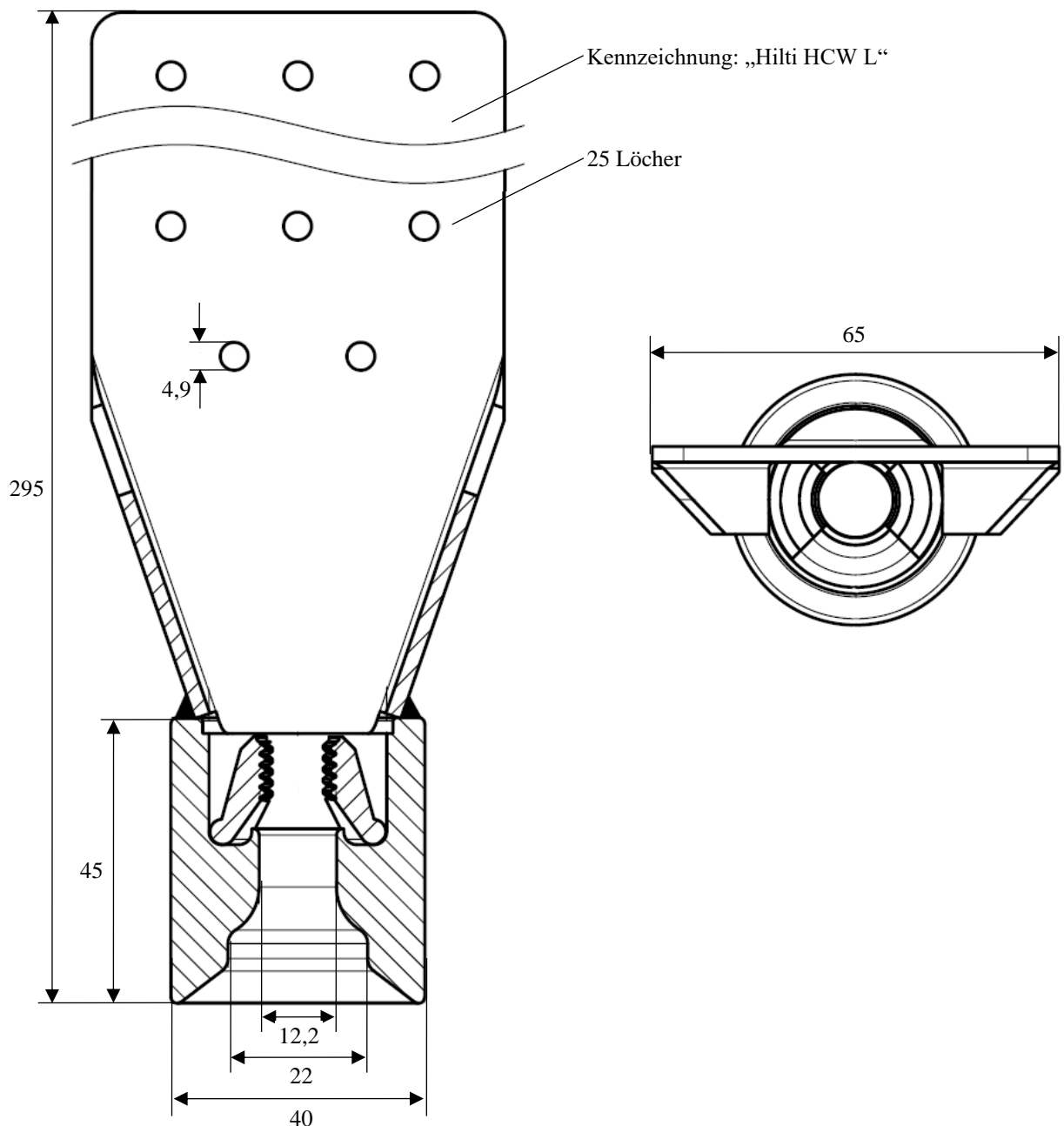
## Anhang A

### Produktbeschreibung

#### Hilti HCW L

Außendurchmesser der Hülse:	40 mm	Breite der Platte	65 mm
Länge der Hülse:	45 mm	Dicke der Platte	2,5 mm
Länge:	295 mm	Durchmesser der Plattenlöcher	≤ 4,9 mm

Material: Hülse und Nagelplatte: S335J2 gemäß EN 10277  
Klemmvorrichtung: 16MnCrS5+C gemäß EN 10277  
Galvanisch verzinkt  $\geq 5 \mu\text{m}$   
(gleichwertiges Material darf verwendet und muss in der Fertigungsprüfdokumentation dokumentiert werden)



## Anhang A

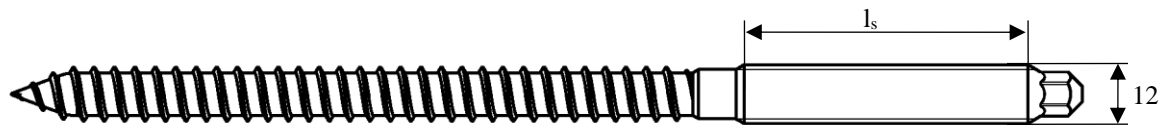
### Produktbeschreibung

#### Stiftförmige Verbindungselemente

- Oberseite zum Einschieben in Hilti HCW und HCW L: Gewinde M12 (min.  $l_s = 40$  mm), Stahlfestigkeit  $f_{uk} \geq 400$  N/mm<sup>2</sup> oder Werkstoff 4.6 oder besser.
- Unterseite: Holzgewinde gem. ETA oder EN 14592 / Stahlverbindung gem. EC3 / Betondübel gem. ETA

#### Holz-Holz-Verbindung

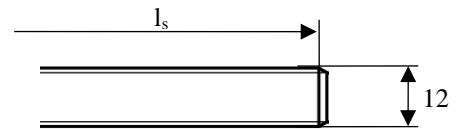
Holzgewinde gem. ETA oder EN 14592



z.B.. Hilti HSW M12 ...  
mit 140 mm  
Holzschraubengewinde gemäß EN  
14592

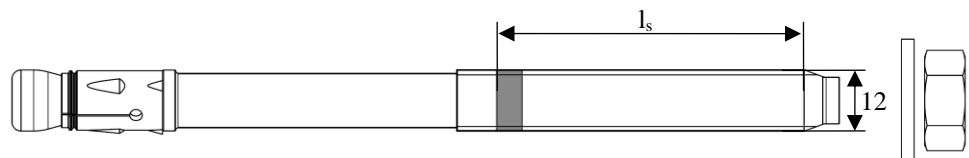
#### Holz-Stahl-Verbindung

Stahlverbindung gemäß EC 3



#### Holz-Beton-Verbindung

Betondübel gemäß ETA

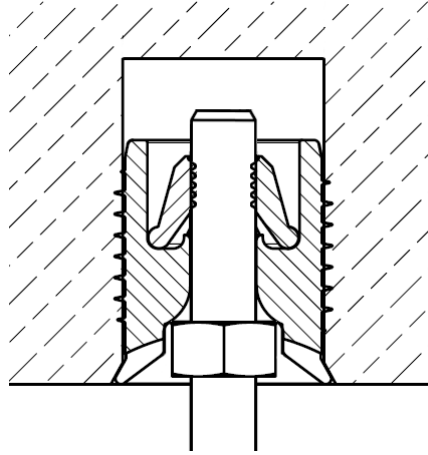


Z. B. Hilti HST3 (ETA-98/0001)  
oder Hilti HAS-U mit Hilti HIT-...

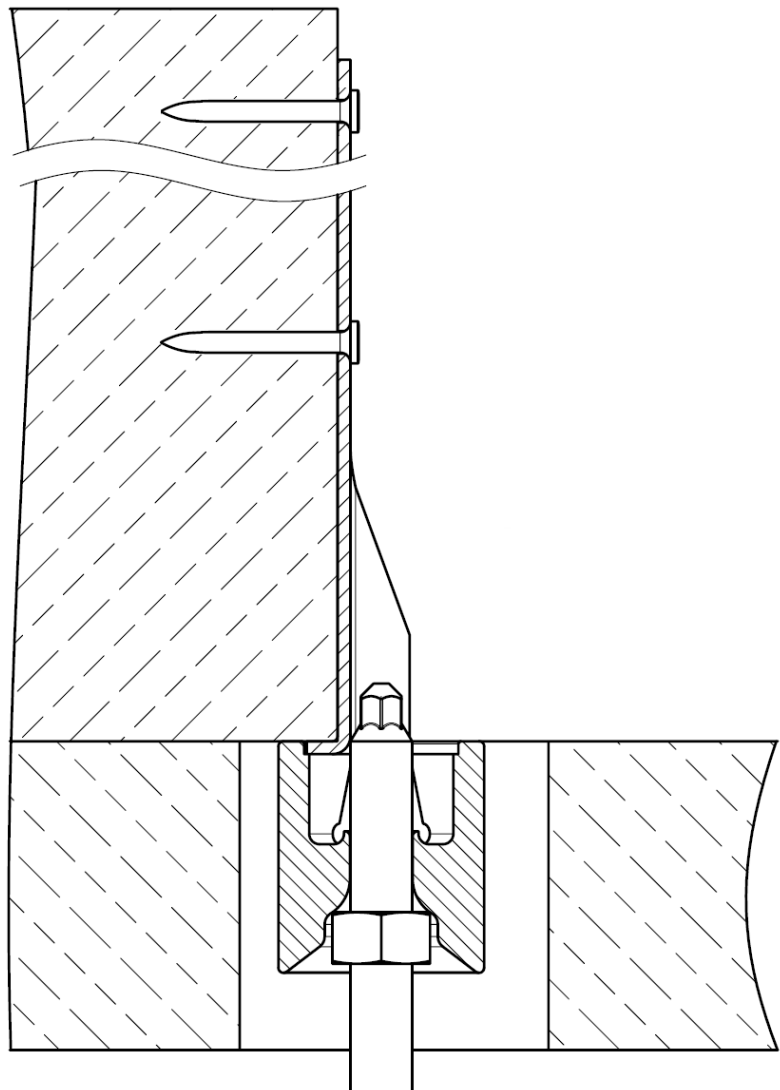
## Anhang A

### Produktbeschreibung

**Hilti HCW**  
mit installiertem stiftförmigen  
Verbindungselement



**Hilti HCW L**  
mit installiertem stiftförmigen  
Verbindungselement



## Anhang B

### Verwendungszweck

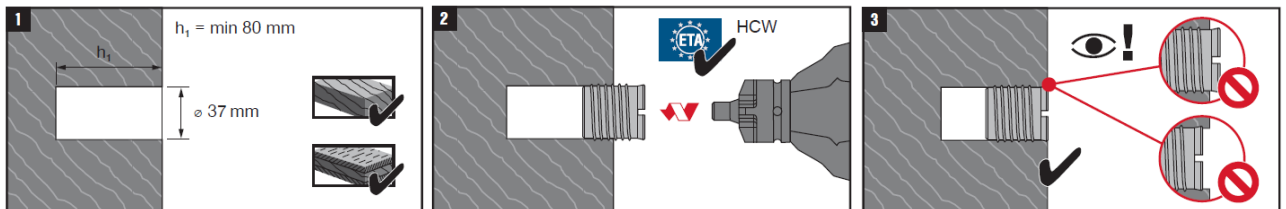
#### Montageparameter

		HCW
Vorbohr-Durchmesser	$d_0$	37 mm
Mindestbohrtiefe	$h_1$	80 mm
End- und Randabstände	$e$	Siehe Anhang C, Tabelle C.1 und Tabelle C.2

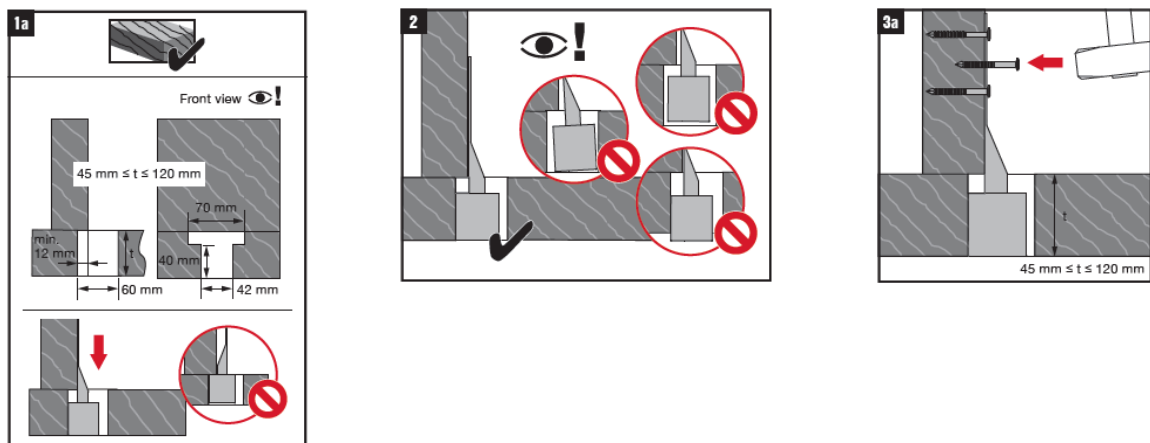
		HCW L
Nagel- / Schraubendurchmesser		$d = 4 \text{ mm}$ und Länge $l = 50 \text{ mm}$ <sup>1)</sup> ; (Nägel und Schrauben gemäß EN14592 oder ETA)
		<sup>1)</sup> ... Für andere Typen und Nagellängen sind Berechnungen nach EN 1995-1-1 erforderlich

#### Montageanleitung Hilti HCW und HWC L

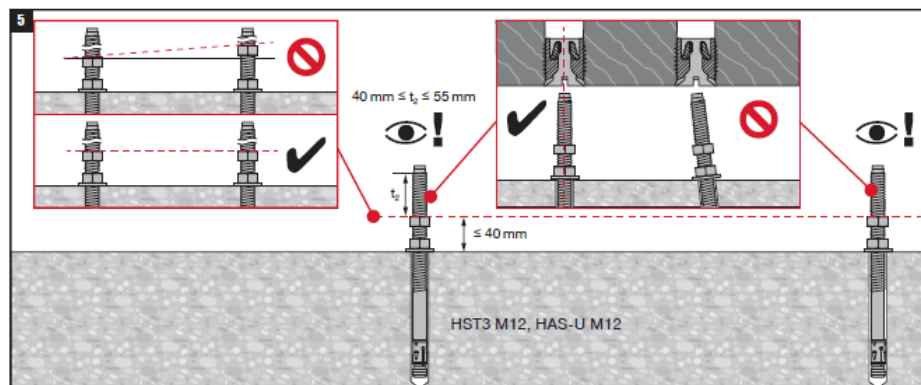
##### Montage HCW



##### Montage HCW-L



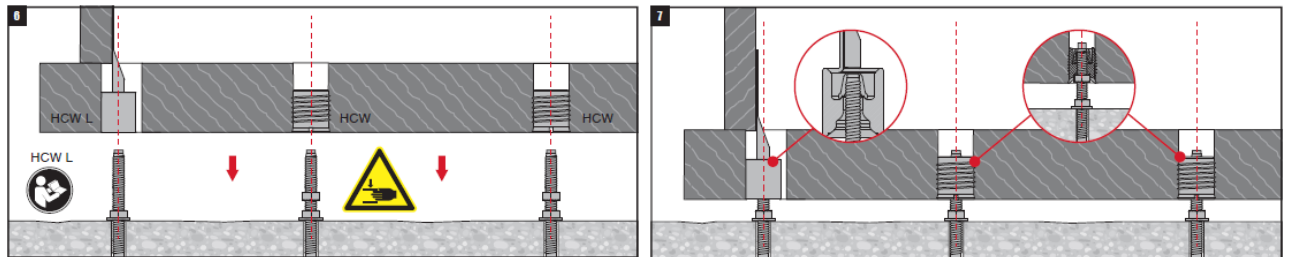
##### Nivellierung des Dübels



## Anhang B

### Verwendungszweck

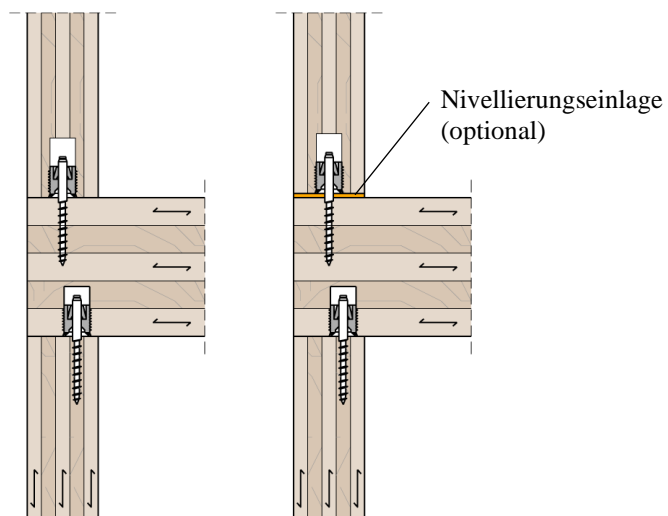
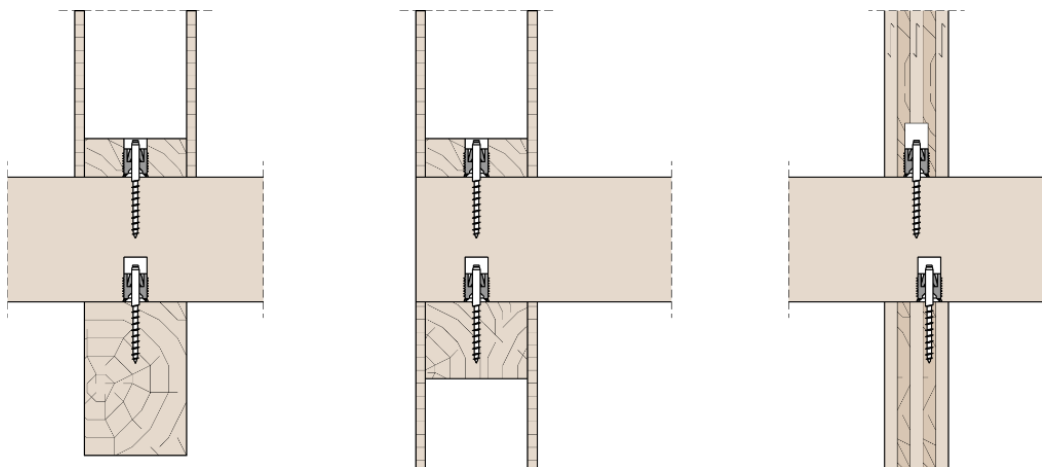
Verbindung von HCW und HCW L mit dem Dübel



### Holz-Holz-Verbindung

Holzquerschnitte sind nur Beispiele (Mindestabmessungen siehe Anhang C)  
Holzabmessungen nach statischer Berechnung

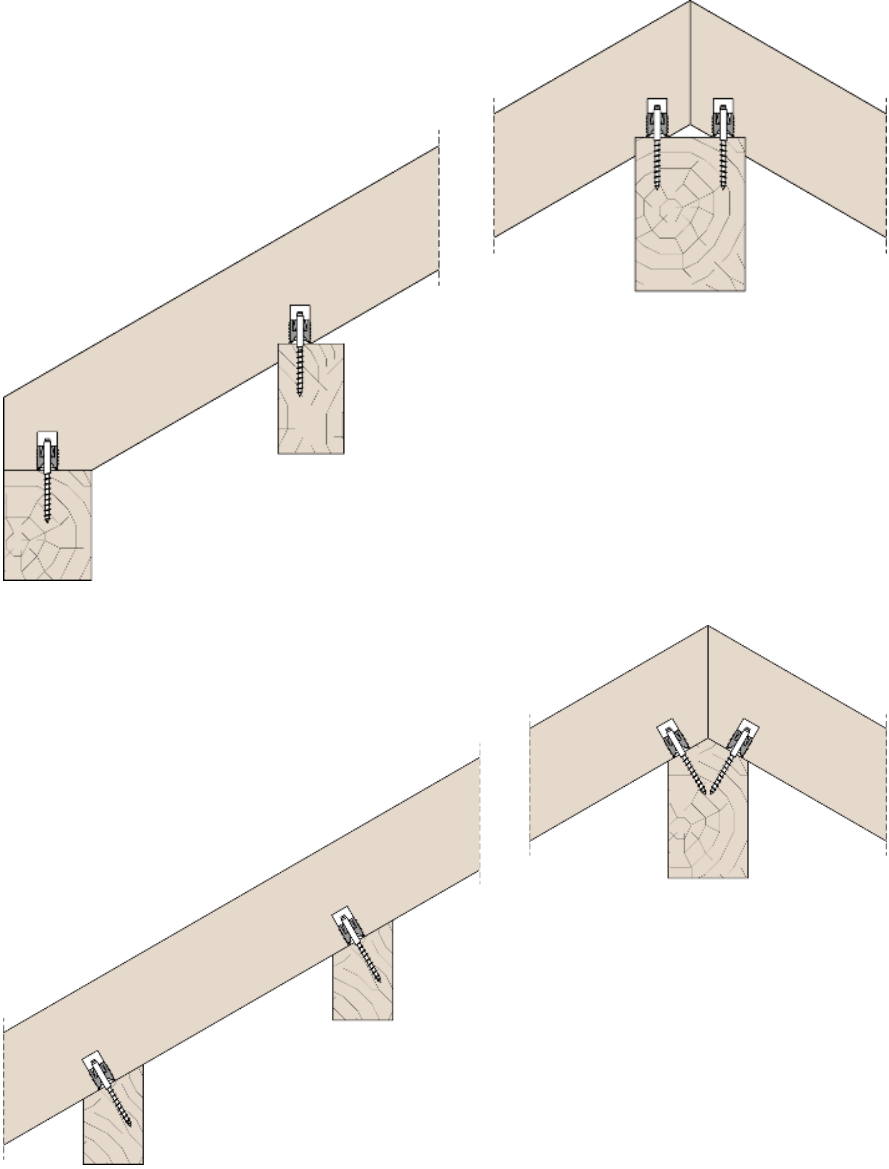
### Wand



**Anhang B**

**Verwendungszweck**

Dach



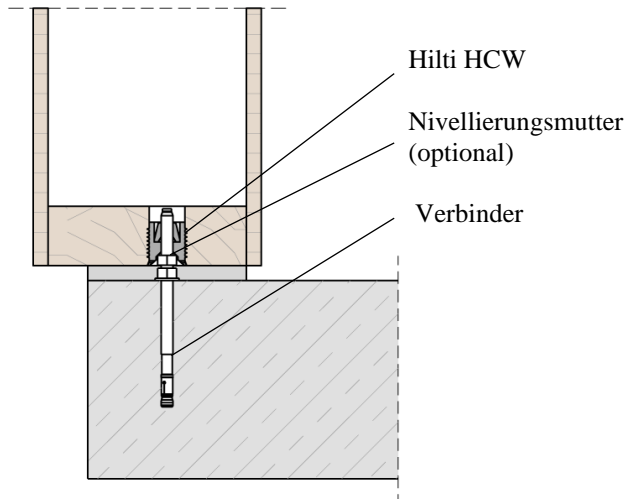
## Anhang B

### Verwendungszweck

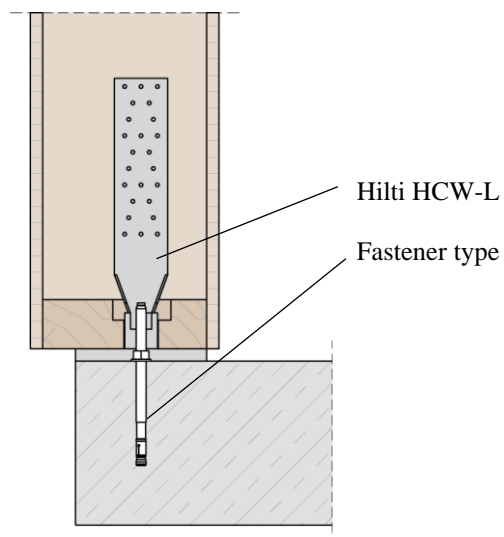
#### Holz-Beton-Verbindung

Holzquerschnitte sind nur Beispiele (Mindestabmessungen siehe Anhang C)  
Holzabmessungen nach statischer Berechnung

#### Wand – Hilti HCW



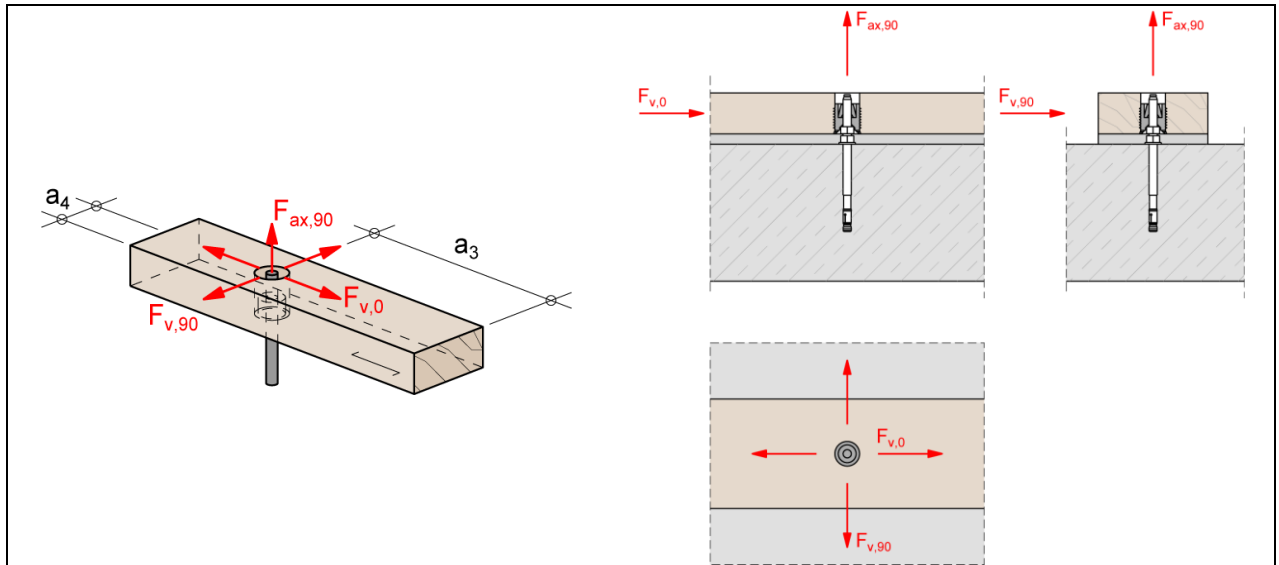
#### Wand – Hilti HCW-L



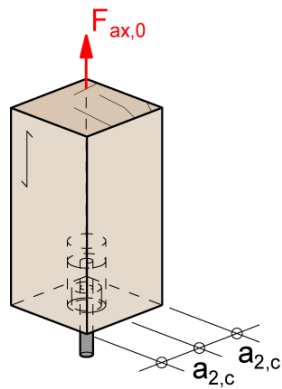
## Anhang C

### Leistungen

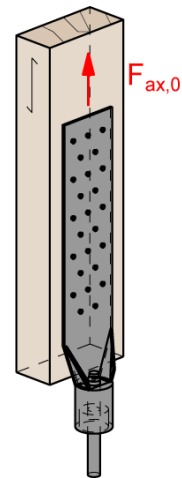
#### Allgemeine Informationen zu Belastungsrichtungen:



Querschnitt  $\geq 80 \times 45 \text{ mm}^2$ , End- und Randabstände, siehe Tabelle C.1



Querschnitt der Stütze  $\geq 100 \times 100 \text{ mm}^2$   
 Randabstand  $\geq 50 \text{ mm}$

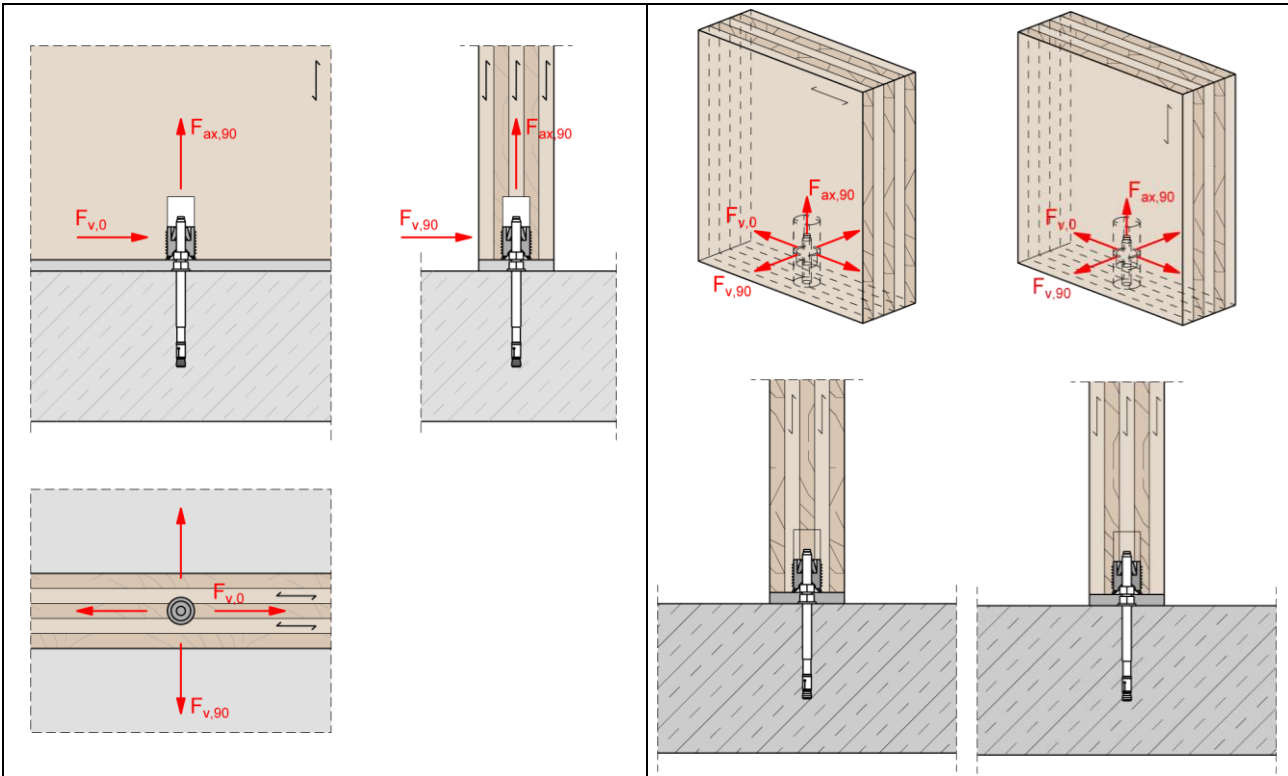


Querschnitt  $\geq 80 \times 45 \text{ mm}$

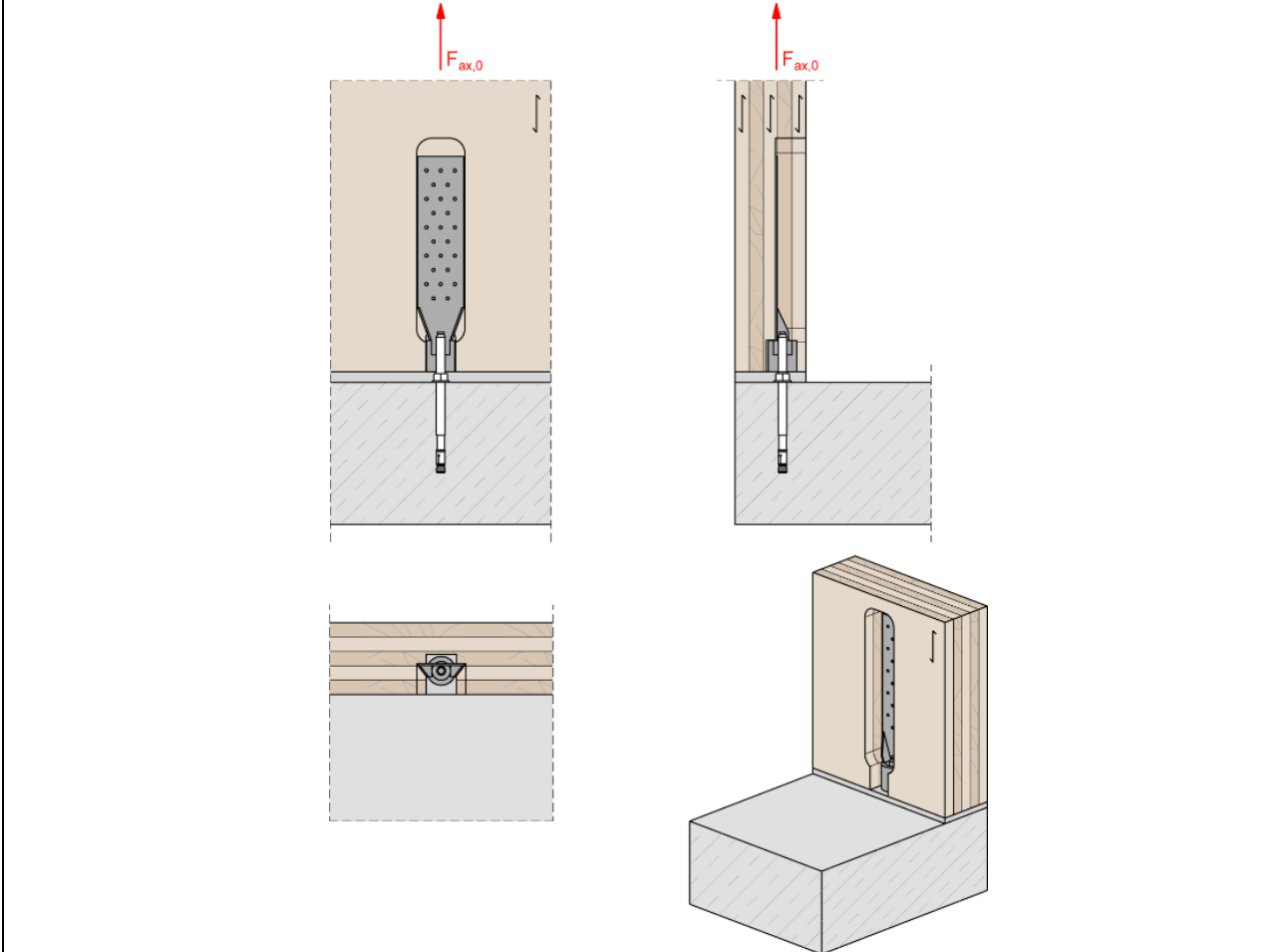


Anhang C

Leistungen



Last Richtung in CLT Anwendungen für HCW



Last Richtung in CLT Anwendungen für HCW-L

## Anhang C

### Leistungen

**Tabelle C.1: Tragfähigkeiten und Verschiebemodul für C24 und Holzwerkstoffe**  
 ( $\rho_k = 350 \text{ kg/m}^3$ ), z.B. CLT, GL 24 h/c

Parameter	Typ	Verbindungsmittel		Holz		Charakteristische Tragfähigkeit [kN]	
		Nägel/ Schrauben	Gewinde- stränge	Rand- abstand (a <sub>4</sub> ) [mm]	Min Querschnitt [mm <sup>2</sup> ]		
Zugfestigkeit	HCW/ HCW-L	-	M12, 4.6 M12, 8.8	-		$F_{t,Rk}$	30,0
							42,0
Axiale Festigkeit	HCW-L	15 Nägel 25 Nägel <sup>2)</sup>	M12, 8.8	-		$F_{ax,0,Rk}$	39,0
							45,0
Tragfähigkeit auf Herausziehen parallel zur Faser	HCW	-	M12, $\geq 4.6$	$\geq 50$	100 x 100	$F_{ax,0,Rk}$	11,8
Tragfähigkeit auf Herausziehen senkrecht zur Faser	HCW	-	M12, $\geq 4.6$	$\geq 40^{1)}$	45 x 80	$F_{ax,90,Rk}$	12,3
				$\geq 50^{1)}$	45 x 100		12,9
Quertragfähigkeit parallel zur Faser	HCW	-	M12, $\geq 4.6$	$\geq 40^{1)}$	45 x 80	$F_{v,0,Rk}$	24,4
				$\geq 50^{1)}$	45 x 100		28,2
Quertragfähigkeit senkrecht zur Faser	HCW	-	M12, $\geq 4.6$	$\geq 40^{1)}$	45 x 80	$F_{v,90,Rk}$	6,8
				$\geq 50^{1)}$	45 x 100		7,3
				$\geq 70^{1)}$	45 x 140		11,8 <sup>3)</sup>
				$\geq 80^{1)}$	45 x 140		14,8

Anmerkungen:

<sup>1)</sup> Endabstand ( $a_3$ ) ist  $\geq 200$  mm.

<sup>2)</sup> Für andere Typen, Längen oder Anzahl der Nägel sind Berechnungen nach EN 1995-1-1 erforderlich.

<sup>3)</sup> Quertragfähigkeit mit Zugbeanspruchung senkrecht zur Faser, verstärkt mit 2 Vollgewindeschrauben  $d = 8$  mm, Mindestquerschnitt  $100 \times 45 \text{ mm}^2$

**Tabelle C.2: HCW Tragfähigkeiten mit reduzierten Rand- und Seitenabständen für C24 und Holzwerkstoffe** ( $\rho_k = 350 \text{ kg/m}^3$ ), z.B. CLT, GL 24h/c:

Parameter	Typ	Verbindungsmittel		Holz C24 Abstände ( $a_3$ ) und ( $a_4$ ) [mm]	Charakteristische Tragfähigkeit [kN]	
		Nägel/ Schrauben	Gewinde- stränge			
Tragfähigkeit auf Herausziehen parallel zur Faser	HCW	-	M12, $\geq 4.6$	$a_3 \geq 50$ mm $a_4 \geq 50$ mm	$F_{ax,90,Rk}$	11,6
				$a_3 \geq 58$ mm $a_4 \geq 40$ mm		$F_{ax,90,Rk}$

## Anhang C

### Leistungen

**Table C.3: Verschiebemodul (SLS) mit standard Rand- und Seitenabständen für C24 und Holzwerkstoffe ( $\rho_k = 350\text{kg/m}^3$ ), z.B. CLT, GL 24h/c:**

Parameter	Typ	Verbindungsmittel		Holz C24		Verschiebemodul ( $K_{ser}$ ) [kN/mm]	
		Nägel/ Schrauben	Gewinde- stange	Randabstand $a_4$ [mm]	Min Querschnitt [mm <sup>2</sup> ]		
Tragfähigkeit auf Herausziehen parallel zur Faser	HCW	-	M12, $\geq 4.6$	$\geq 50$	100 x 100	$K_{ax,0,ser}$	15,0
Tragfähigkeit auf Herausziehen senkrecht zur Faser	HCW	-	M12, $\geq 4.6$	$\geq 40$	45 x 80	$K_{ax,90,ser}$	4,5
				$\geq 50$	45 x 100		7,9
Quertragfähigkeit parallel zur Faser	HCW	-	M12, $\geq 4.6$	$\geq 40$	45 x 80	$K_{v,0,ser}$	5,2
				$\geq 50$	45 x 100		5,5
Quertragfähigkeit senkrecht zur Faser	HCW	-	M12, $\geq 4.6$	$\geq 40$	45 x 80	$K_{v,90,ser}$	3,5
				$\geq 50$	45 x 100		4,0
				$\geq 70$	45 x 140		4,0
				$\geq 80$	45x 140		4,0

## Anhang C

### Leistungen

#### C.1 Tragfähigkeiten von Holz-Holz-Verbindungen

##### C.1.1 Axiale Kräfte (Herausziehen)

$$F_{ax,Rd} = \min \left\{ \begin{array}{l} \frac{k_{mod} \cdot F_{ax,Rk}}{\gamma_M} \\ \frac{F_{t,Rk}}{\gamma_{M,2}} \\ \frac{k_{mod} \cdot F_{ax,Rk,DT}}{\gamma_M} \\ \frac{F_{t,Rk,DT}}{\gamma_{M,2}} \end{array} \right.$$

$F_{ax,Rk}$  ... siehe Tabelle C.1, charakteristische Tragfähigkeit auf Herausziehen

$F_{t,Rk}$  ... siehe Tabelle C.1, Stahlversagen von Hilti HCW und HCW L

$F_{ax,Rk,DT}$ ,  $F_{t,Rk,DT}$  ... Tragfähigkeit auf Herausziehen und Stahlversagen des stiftförmigen Verbindungselements (siehe DoP gem. EN 14592 / ETA)

$k_{mod}$  und  $\gamma_M$  ... siehe EN 1995-1-1

$\gamma_{M,2}$  ... siehe EN 1993-1-1

$F_{ax,0,Rk}$  in Tabelle C.1 für Hilti HCW gilt nur für kurzzeitige Kurzzeit- (z. B. Wind) und momentan vorherrschende Lastdauerklassen. Für alle anderen längeren Lastdauerklassen nach EN 1995-1-1:

- Für Winkel von  $0^\circ \leq \alpha \leq 45^\circ$  zwischen Schraubenachse und Holzfaserrichtung ergibt sich  $F_{ax,k,\alpha}$  mit:

$$f_{ax,k,\alpha} = k_{ax} \cdot f_{ax,k,90^\circ} \quad \text{with: } k_{ax} = 0,3 + \frac{0,7 \cdot \alpha}{45^\circ}$$

- Für Winkel von  $45^\circ \leq \alpha \leq 90^\circ$  zwischen Schraubenachse und Holzfaserrichtung bleibt  $F_{ax,k,\alpha}$  konstant.

$\alpha$  ... Winkel zwischen Faserrichtung und Schraubenachse;  $\alpha = 0^\circ$  Hirnholz,  $\alpha = 90^\circ$  Langholz

$F_{ax,Rk}$  für Holzbauteile mit niedrigerer oder höherer Festigkeitsklasse als C24 gilt EN 1995-1-1, 8.7.

$$F_{Rk,\rho_a} = \left( \frac{\rho_k}{\rho_a = 350} \right)^{0,8} \cdot F_{Rk}$$

$\rho_a$  ... zugehörige charakteristische Dichte in  $\text{kg/m}^3$  für die Festigkeitsklasse abweichend von C24

## Anhang C

### Leistungen

#### C.1.2 Scherkräfte

$$F_{v,Rd} = \min \left\{ \begin{array}{l} \frac{k_{mod} \cdot F_{v,Rk}}{\gamma_M} \\ \frac{k_{mod} \cdot F_{v,Rk;DT}}{\gamma_M} \end{array} \right.$$

$F_{v,Rk}$  ... siehe Tabelle C.1

$F_{v,Rk;DT}$  ... Schertragfähigkeit des stiftförmigen Verbindungselements ist nach EN 1995-1-1 zu berechnen

$k_{mod}$  und  $\gamma_M$  ... siehe EN 1995-1-1

Effektive Anzahl Hilti HCW:  $n_{ef} = n$  für  $a_1 \geq 400$  mm in Faserlängsrichtung

#### C.2 Tragfähigkeiten von Verbindungen mit Schrauben (Stahlverbindung)

Bei Hilti HCW und HCW L, die über Gewindebolzen mit einem Stahlbauteil verbunden sind, basiert die Berechnung der Tragfähigkeit der Verbindung auf:

- $K_{ser}$  und  $F_{Rk}$  in Tabelle C.1 und Tabelle C.2 finden Anwendung

$$F_{v,Rd} = \frac{k_{mod} \cdot F_{v,Rk}}{\gamma_M}$$

$F_{v,Rk}$  ... siehe Tabelle C.1

Bei Hilti HCW und HCW L, die mit Gewindebolzen oder Verbindungsmuttern mit einem Holzbauteil verbunden sind, berechnet sich die Tragfähigkeit der Verbindung wie folgt:

- $K_{ser}$  und  $F_{Rk}$  in Tabelle C.1 und Tabelle C.2 finden Anwendung
- Die Gewindebolzen oder Verbindungsmuttern sind immer wie die zu ersetzenden Schrauben anzuordnen; charakteristische Werte der Gewindebolzen oder Verbindungsmuttern sind nach EN 1995-1-1 oder gem. ETA des Produkts zu berechnen.
- Für die Gewindebolzen ist ein ausreichender Durchmesser der Unterlegscheiben erforderlich
- Das statische Verhalten ist das gleiche wie bei einer Holz-Holz-Verbindung mit Schrauben. Die Gewindebolzentragfähigkeiten ersetzen die jeweiligen Schraubentragfähigkeiten in den Gleichungen C.1.

##### C.2.1 Kombinierte Kräfte

Im Falle kombinierter Quer- und Zugkräfte muss folgende Bedingungen erfüllt sein:

- Zwischen HCW und Holzbauteil wie beschrieben in Abschnitt C.4, und
- Zwischen Verbinder und Verankerungsgrund Stahl, die Bedingungen nach EN 1993-1-1 sind maßgebend.

## Anhang C

### Leistungen

#### C.3 Tragfähigkeiten von Verbindungen mit Beton (Dübelverbindung)

##### C.3.1 Zugkräfte

$$F_{ax,Rd} = \min \left\{ \begin{array}{l} \frac{k_{mod} \cdot F_{ax,Rk}}{\gamma_M} \\ \frac{F_{t,Rk}}{\gamma_{M,2}} \\ \min N_{Rd} \end{array} \right.$$

$F_{ax,Rk}$	... siehe Tabelle C.1, charakteristische Tragfähigkeit auf Herausziehen
$k_{mod}$ und $\gamma_M$	... siehe EN 1995-1-1
$F_{t,Rk}$	... siehe Tabelle C.1, Stahlversagen von Hilti HCW und HCW L
$\gamma_{M,2}$	... siehe EN 1993-1-1
$\min N_{Rd}$	... maßgebende Zugtragfähigkeit des Betondübel (berechnet gemäß EN 1992-4)

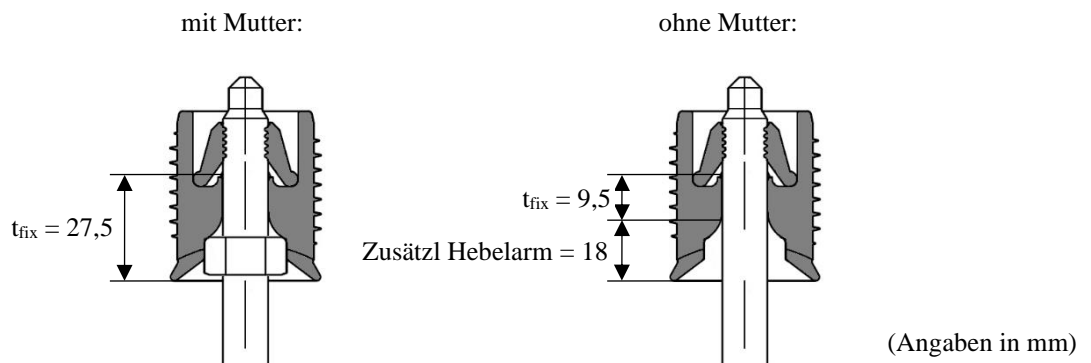
##### C.3.2 Querkräfte

$$F_{v,Rd} = \min \left\{ \begin{array}{l} \frac{k_{mod} \cdot F_{v,Rk}}{\gamma_M} \\ \min V_{Rd} \end{array} \right.$$

$F_{v,Rk}$	... siehe Tabelle C.1
$k_{mod}$ und $\gamma_M$	... siehe EN 1995-1-1
$\min V_{Rd}$	... maßgebende Querkrafttragfähigkeit des Betondübel (bestimmt gemäß EN 1992-4)

Minimaler Achs- und minimaler Randabstand des Betondübel sind zu beachten.

Bei Querkraftbelastung am Betondübel sind folgende Werte für  $t_{fix}$  anzuwenden:



##### C.3.3 Kombinierte Kräfte

Im Falle kombinierter Quer- und Zugkräfte muss folgende Bedingungen erfüllt sein:

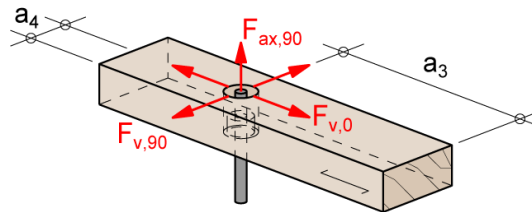
- Zwischen HCW und Holzbauteil wie beschrieben in Abschnitt C.4, und
- Zwischen Verbinder und Verankerungsgrund Beton, die Bedingungen nach EN 1992-4 sind maßgebend.

## Anhang C

### Leistungen

#### C.4 Kombinierte Kräfte (vom HCW in das Holzbauteil)

Im Falle kombinierter Quer- und Zugkräfte, die vom HCW in das Holzbauteil eingeleitet werden, müssen die folgenden Bedingungen erfüllt sein:



$$\left(\frac{F_{ax,90,Ed}}{F_{ax,90,Rd}}\right)^2 + \left(\frac{F_{v,0,Ed}}{F_{v,0,Rd}}\right)^2 + \left(\frac{F_{v,90,Ed}}{F_{v,90,Rd}}\right)^2 \leq 1$$

mit:

$$F_{ax,90,Rd} = \frac{k_{mod} \cdot F_{ax,90,Rk}}{\gamma_M}$$

$F_{ax,90,Rk}$  ... siehe Tabelle C.1, Charakteristische Tragfähigkeit auf Herausziehen

$k_{mod}$  and  $\gamma_M$  ... siehe EN1995-1-1

$$F_{v,0,Rd} = \frac{k_{mod} \cdot F_{v,0,Rk}}{\gamma_M}$$

$F_{v,0,Rk}$  ... siehe Tabelle C.1

$k_{mod}$  and  $\gamma_M$  ... siehe EN1995-1-1

$$F_{v,90,Rd} = \frac{k_{mod} \cdot F_{v,90,Rk}}{\gamma_M}$$

$F_{v,90,Rk}$  ... siehe Tabelle C.1

$k_{mod}$  and  $\gamma_M$  ... siehe EN1995-1-1

#### C.5 Seismisches Verhalten und Duktilitätsklasse der Verbinder

##### C.5.1 Duktilitätsklassen

Abhängig von dem Duktilitätsverhalten und der Energiedissipationskapazität unter seismischer Beanspruchung müssen Holzgebäude einer Duktilitätsklasse (DC) nach EN 1998 zugeordnet werden. Für Erdbebenbemessungen der HCW und HCW-L Verbinder ist die Klassifizierung nach Tabelle C.4.1 zugrunde zu legen.

**Tabelle C.4.1: Duktilitätsklassen**

HCW Typ	Verbindungsmittel Typ	Gewindestange	Lastrichtung	Statische Duktilität	Bemessungskonzept und Duktilitätsklasse nach EN 1998-1
HCW-L	voll ausgenagelt (25 Nägel)	M12 ≤ 8.8	$F_{ax,0}$	2	DCL
	teilausgenagelt (15 Nägel)			4	DCM
HCW	-	M12 ≤ 8.8	$F_{ax,90}$	2	DCL
			$F_{v,0}$	4	DCM

Die Bemessungskonzepte nach EN 1998 müssen berücksichtigt werden. Geographische Beschränkungen der Verwendung der Duktilitätsklassen M sind den relevanten nationalen Anhängen zu entnehmen.



ETA-Danmark A/S  
Göteborg Plads 1  
DK-2150 Nordhavn  
Tel. +45 72 24 59 00  
Faks +45 72 24 59 04  
Internet www.etadanmark.dk

Jednostka autoryzowana  
i notyfikowana zgodnie  
z art. 29 rozporządzenia  
Parlamentu Europejskiego i Rady  
(UE) nr 305/2011  
z dnia 9 marca 2011 r.



## Europejska Ocena Techniczna ETA-21/0357 z 01.03.2024 r.

### I Część ogólna

**Jednostka Oceny Technicznej wydająca ETA, autoryzowana na podstawie art. 29 Rozporządzenia (UE) nr 305/2011: ETA-Danmark A/S**

**Nazwa handlowa  
wyrobu  
budowlanego:**

Element mocujący Hilti HCW, HCW L

**Rodzina wyrobów, do  
której powyższy wyrób  
budowlany należy:**

Przestrzenna płytko perforowana (ukryte mocowanie  
do belek)

**Producent:**

Hilti AG  
Feldkircherstrasse 100  
9494 Schaan  
Fürstentum Liechtenstein

**Zakład produkcyjny:**

Hilti Werke

**Niniejsza Europejska Ocena  
Techniczna zawiera:**

23 strony, w tym 3 załączniki stanowiące integralną  
część dokumentu.

**Niniejsza Europejska  
Ocena Techniczna została  
wydana zgodnie  
z rozporządzeniem (UE)  
nr 305/2011 na podstawie:**

Europejskiego Dokumentu Oceny  
EAD 130186-00-0603 dla przestrzennych płytek  
perforowanych

**Niniejsza wersja zastępuje:**

ETA o tym samym numerze wydaną w dniu  
25.04.2022 r.



Tłumaczenia niniejszej Europejskiej Oceny Technicznej na inne języki powinny w pełni odpowiadać oryginalnie wydanemu dokumentowi i powinny być oznaczone jako tłumaczenia.

Niniejsza Europejska Ocena Techniczna, włączając w to jej formy elektroniczne, może być rozpowszechniana wyłącznie w całości (z wyłączeniem załączników niejawnych, o których mowa powyżej). Jakkolwiek publikowanie części dokumentu jest możliwe za pisemną zgodą Jednostki Oceny Technicznej. W tym przypadku na kopii powinna być podana informacja, że jest to fragment dokumentu.

## II CZĘŚĆ SZCZEGÓŁOWA EUROPEJSKIEJ OCENY TECHNICZNEJ

### 1 Opis techniczny wyrobu

Hilti HCW i HCW L są dwuczęściowymi elementami mocującymi do stosowania w połączeniach pomiędzy elementami drewnianymi oraz w połączeniach pomiędzy elementami drewnianymi i elementami stalowymi lub pomiędzy elementami drewnianymi i elementami betonowymi.

Elementy mocujące Hilti HCW oraz HCW L o średnicy nominalnej 40 mm są osadzone we wstępnie nawierczanych otworach w elementach drewnianych (patrz załącznik A). Łącznik typu kołek (dybel) na jednym końcu jest wyposażony w gwint M12, który jest wsuwany do przedmiotowego mocowania. Łącznik typu kołek jest unieruchamiany przez element mocujący w sposób zapewniający natychmiastowe powstanie połączenia o charakterze nośnym.

Jako typ łącznika może być zastosowany:

- Pręt gwintowany M12 (wytrzymałość minimalna 4.6) do połączeń skręcanych elementów stalowych lub drewnianych
- Łącznik do betonu z gwintem M12 posiadający ETA (wytrzymałość stali  $f_{u,k} \geq 500 \text{ N/mm}^2$ )
- Wkręt do drewna z gwintem M12 wg normy EN 14592 lub posiadający ETA (wytrzymałość stali  $f_{u,k} \geq 400 \text{ N/mm}^2$ )

#### Geometria oraz materiał

Przedmiotowe elementy mocujące są wykonane ze stali węglowej, zgodnie z normą EN 10277, oraz ocynkowane galwanicznie. Wymiary zostały przedstawione w Załączniku A, natomiast typowe zastosowania w Załączniku B.

### 2 Określenie zamierzonego zastosowania zgodnie z odpowiednim Europejskim Dokumentem Oceny (EAD)

Przedmiotowe elementy mocujące są przeznaczone do stosowania podczas wykonywania połączeń przekrojów poprzecznych do podłużnych [przekrój przez słoje], przekrojów poprzecznych do poprzecznych oraz przekrojów podłużnych do podłużnych w nośnych konstrukcjach drewnianych, jako połączenie pomiędzy belką drewnianą i litym drewnem (iglastym lub liściastym) lub nadprożami drewnianymi, w przypadku których konieczne jest spełnienie wymagań dotyczących nośności i stateczności oraz bezpieczeństwa użytkowania w rozumieniu podstawowych wymagań dotyczących obiektów budowlanych 1 i 4 według rozporządzenia (UE) nr 305/2011.

Elementy te są również przeznaczone do stosowania przy wykonywaniu połączeń przekrojów poprzecznych

lub podłużnych belek stropowych (legarów) z elementami stalowymi lub elementami betonowymi.

Przedmiotowe elementy mocujące mogą być stosowane w połączeniach pomiędzy elementami z materiałów drewnopochodnych, takich jak:

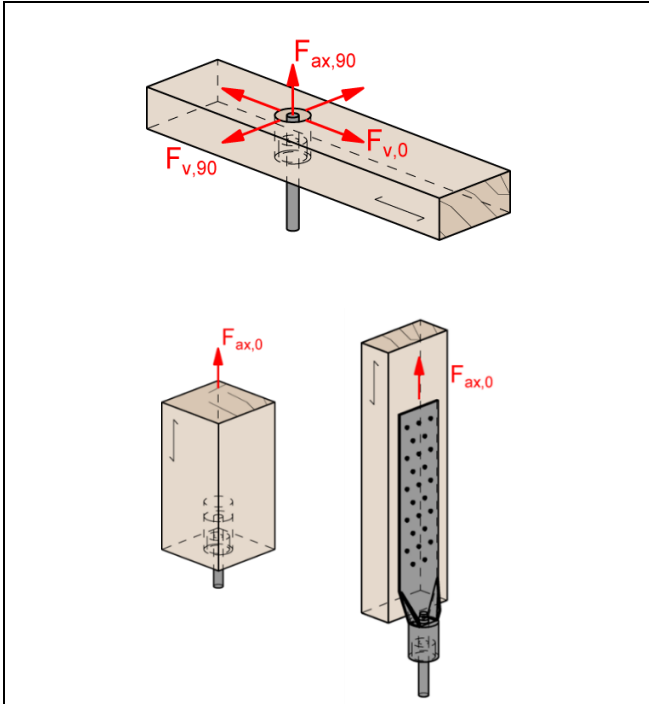
- Lite drewno konstrukcyjne iglaste lub liściaste zgodne z normami EN 338 / EN 14081,
- Drewno klejone warstwowo z tarcicy iglastej lub liściastej, sklasyfikowane zgodnie z normami EN 1194 / EN 14080 lub posiadające ETA albo aprobatę krajową,
- Fornir klejony warstwowo (LVL) zgodny z normą EN 14374 lub ETA,
- Belki klejone Parallam PSL,
- Płyty szerokowiórowe Intrallam LSL,
- Drewno lite klejone Duo- i Triobalken,
- Drewno klejone krzyżowo oraz podobne konstrukcyjne produkty klejone zgodne z EN16351 lub ETA,
- Produkty z materiałów drewnopochodnych oraz płyty z litego drewna zgodne z normą EN13986 lub ETA, zastosowanie mają warunki zawarte w ETA dla materiałów drewnopochodnych,
- Produkty z materiałów drewnopochodnych zgodne z ETA - jeśli ETA takiego produktu zawiera warunki stosowania wkrętów samogwintujących, obowiązują warunki zawarte w ETA tego produktu z materiału drewnopochodnego.

Odpowiednie metody obliczeniowe są dopuszczalne wyłącznie dla charakterystycznej gęstości drewna do  $590 \text{ kg/m}^3$  dla drewna iglastego i liściastego. Pomimo, że materiał drewnopochodny może mieć większą gęstość, niedopuszczalne jest jej stosowanie we wzorach do obliczania parametrów nośności elementów mocujących.

Jeśli warstwa wewnętrzna wykonana z płyty drewnopochodnej jest umieszczona pomiędzy elementem Hilti HCW i HCW L oraz łącznikiem typu kołek, należy uwzględnić wpływ takiej warstwy wewnętrznej na nośność zastosowanego typu łączników.

W Załączniku C zawarte są wzory na nośności charakterystyczne przedmiotowych połączeń. Projekt połączeń musi być wykonany zgodnie z Eurokodem 5 i/lub Eurokodem 8 lub z podobnymi krajowymi normami dotyczącymi drewna.

Przyjmuje się założenie, że na przedmiotowe połączenie działają następujące siły:  $F_{ax}$  oraz  $F_v$ . Siła  $F_{ax}$  działa podłużnie na łącznik (osiowo), natomiast siła  $F_v$  może działać mimośrodowo w stosunku do środka ciężkości elementu Hilti HCW i HCW L oraz elementu drewnianego.



Rysunek 1: działające siły

Przyjmuje się założenie, że belka nadprożowa jest zabezpieczona przed możliwością obrotu. Analogicznie, przyjmuje się założenie, że element stalowy, do którego jest przytwierdzony przedmiotowy łącznik, nie obraca się. Jeśli belka nadprożowa ma zamontowany łącznik tylko po jednej stronie, należy uwzględnić moment wynikający z mimośrodowo  $M_v = F_d \times b_H/2$ , gdzie  $b_H$  stanowi szerokość tej belki. Ta zasada ma również zastosowanie, kiedy belka nadprożowa ma łączniki po obu stronach, ale działają na nie siły pionowe różniące się wartościami o więcej niż 20%.

Elementy mocujące są przeznaczone do stosowania w połączeniach poddawanych obciążeniom statycznym lub quasi-statycznym.

Przedmiotowe ocynkowane łączniki są przeznaczone do stosowania w konstrukcjach drewnianych pracujących w warunkach suchych, wewnątrz pomieszczeń określonych dla klas użytkowania 1 oraz 2 wg normy EN 1995-1-1, (Eurokod 5). Zastosowane łączniki (wkręty i śruby) oraz pręty gwintowane muszą być wykonane z odpowiedniego materiału. Należy stosować gwint M12 o minimalnej klasie wytrzymałości 4.6.

Zakres elementów pod względem odporności na korozję należy określić zgodnie z warunkami krajowymi, które obowiązują w miejscu montażu z uwzględnieniem warunków środowiskowych.

Postanowienia zawarte w niniejszej Europejskiej Ocenie Technicznej opierają się na założeniu, że zamierzony okres użytkowania wkrętów będzie wynosił 50 lat.

Wskazania dotyczące okresu użytkowania nie mogą być interpretowane jako gwarancja udzielona przez producenta lub Jednostkę Oceny, a jedynie jako przesłanki mające pomóc w wyborze odpowiedniego produktu spełniającego oczekiwania z punktu widzenia ekonomicznie optymalnego czasu eksploatacji wykonanych robót.

### 3 Właściwości użytkowe wyrobu oraz metody zastosowane do ich oceny

Charakterystyka	Ocena charakterystyki
<b>3.1 Nośność i stateczność*) (podstawowe wymagania 1)</b>	
Wytrzymałość połączenia - nośność charakterystyczna	Patrz Załącznik C
Sztywność połączenia	Patrz Załącznik C
Plastyczność połączenia	Patrz Załącznik C
Nośność na oddziaływania sejsmiczne	Patrz Załącznik C
Odporność na korozję oraz zniszczenie	Patrz rozdział 3.5
<b>3.2 Bezpieczeństwo pożarowe (podstawowe wymagania 2)</b>	
Reakcja na działanie ognia	Łączniki są wykonane ze stali klasyfikowanej jako Euroklasa A1 zgodnie z normą EN 13501-1 oraz rozporządzeniem delegowanym Komisji 2016/364
Odporność ogniowa	Nie oceniano właściwości użytkowych w tym zakresie
<b>3.3 Ogólne aspekty związane z właściwościami użytkowymi wyrobu</b>	
Identyfikacja	Łączniki zostały ocenione jako posiadające odpowiednią trwałość i użyteczność dla zastosowań do konstrukcji drewnianych przy zastosowaniu gatunków drewna określonych w Eurokodzie 5 oraz poddanych warunkom określonym przez klasę użytkowania 1 oraz 2. Patrz Załącznik A

\*) Patrz dodatkowe informacje w rozdziałach 3.4 – 3.6.

### 3.4 Aspekty związane z właściwościami użytkowymi wyrobu

Nośności charakterystyczne są określone w oparciu o wartości charakterystyczne łączników.

Zgodnie z normą EN 1990 (Eurokod – Podstawy projektowania) wartość obliczeniowa nośności może być określona poprzez zmniejszenie wartości charakterystycznych nośności z zastosowaniem różnych współczynników częściowych.

W związku z tym, w celu uzyskania wartości obliczeniowych zgodnie z właściwymi Eurokodami lub odpowiednimi krajowymi normami projektowymi, należy pomnożyć te nośności przez różne współczynniki częściowe dopasowane do właściwości materiału oraz – dla łączników montowanych w elementach drewnianych – również przez współczynnik  $k_{mod}$ , który uwzględnia klasę trwania obciążenia.

Zatem, wartości charakterystyczne lub obliczeniowe nośności są określone jako minimalne spośród poniższych (patrz również Załącznik C):

- zniszczenie elementu drewnianego  $F_{v,Rk}$  oraz  $F_{ax,Rk}$  (osiągnięcie wytrzymałości osadzenia elementów Hilti HCW oraz HCW L w elemencie drewnianym) poddanego ścinaniu lub wyciąganiu, jak również odpowiednio
- zniszczenie stali  $F_{t,Rd}$  elementów mocujących Hilti HCW oraz HCW L, jak również
- zniszczenie  $F_{ax,Rk,DT}$  łącznika typu kołek poddanego obciążeniu ścinającemu lub wyciągającemu odpowiadającemu jego wytrzymałości.

Wartość obliczeniową nośności stanowi najmniejsza wartość spośród poniższych nośności.

$$F_{ax,Rd} = \min \left\{ \begin{array}{l} \frac{k_{mod} \cdot F_{ax,Rk}}{\gamma_M} \\ \frac{F_{t,Rk}}{\gamma_{M,2}} \\ k_{mod} \cdot F_{ax,Rk,DT} \\ \frac{\gamma_M}{\frac{F_{t,Rk,DT}}{\gamma_{M,2}}} \end{array} \right.$$

Zatem, dla przypadku zniszczenia elementu drewnianego uwzględniona jest klasa trwania obciążenia oraz klasa użytkowania. Uwzględnione są również w prawidłowy sposób różne współczynniki częściowe  $\gamma_M$  odpowiednie dla stali, drewna lub betonu.

Ponadto, przedmiotowe łączniki mogą być zamocowane do elementu stalowego przy użyciu śrub M12 w otworach o średnicy maksymalnie o 2 mm większej niż śruba, oraz do elementu betonowego za pomocą łączników do betonu.

Odpowiednie modele obliczeniowe pozwalają na zastosowanie łączników opisanych w Załączniku A.

### 3.5 Ochrona przed korozją w klasie użytkowania 1 i 2.

Przedmiotowe łączniki posiadają powłokę cynkową o grubości 5 mikronów (5  $\mu\text{m}$ ). Płytki perforowane o grubości < 3 mm posiadają powłokę o grubości 8 mikronów dla klasy użytkowania 2.

### 3.6 Ogólne aspekty związane z zamierzonym stosowaniem wyrobu

Złącze wykonane przy użyciu elementów mocujących jest uznawane za właściwe dla jego zamierzonego stosowania pod warunkiem, że:

Otwory ustalające gwarantują dokładne położenie prefabrykowanych elementów ścian oraz stropów. Betonowy fundament wymaga dokładnej lokalizacji zastosowanych łączników do betonu.

#### Belka nadprożowa – warunki podparcia

Należy wyeliminować możliwość obrotu belki nadprożowej.

Jeśli belka nadprożowa stanowi podparcie dla belek stropowych ułożonych tylko po jednej jej stronie, to przy weryfikacji wytrzymałości belki nadprożowej należy uwzględnić moment mimośrodkowy od tych belek stropowych  $M_{ec} = R_{joist} \times b_H/2$ .

$R_{joist}$  Siła reakcji od belek stropowych  
 $b_H$  Szerokość belki nadprożowej

Dla belki nadprożowej podpierającej belki stropowe ułożone z obu stron, ale z siłami pionowymi różniącymi się wartościami o więcej niż 20%, należy zastosować podobne uwarunkowania.

#### Połączenia elementów drewnianych ze sobą

Złącze wykonane przy użyciu przedmiotowych elementów mocujących należy zaprojektować zgodnie z Eurokodem 5 lub z odpowiednią normą krajową.

Elementy Hilti HCW oraz HCW L muszą stykać się z elementami drewnianymi na całej powierzchni. Niedopuszczalne jest występowanie pomiędzy nimi warstw pośrednich, z wyjątkiem sytuacji, gdy przeprowadzono obliczenia statyczne uwzględniające taką warstwę.

#### Połączenia drewna ze stalą oraz drewna z betonem

Wyżej wymienione zasady wykonywania połączeń elementów drewnianych ze sobą mają zastosowanie również dla połączeń pomiędzy belką stropową i stalową lub betonową belką nadprożową.

- Złącze wykonane przy użyciu przedmiotowych elementów mocujących musi być zaprojektowane zgodnie z Eurokodami 2, 3, 5 lub 9 lub zgodnie z odpowiednią normą krajową.
- Elementy Hilti HCW oraz HCW L muszą stykać się ze stalą lub z betonem na całej powierzchni. Niedopuszczalne jest występowanie pomiędzy nimi warstw pośrednich, z wyjątkiem sytuacji, gdy przeprowadzono obliczenia statyczne uwzględniające taką warstwę.
- Otwór wykonany w elemencie stalowym musi mieć średnicę nie większą niż 12 mm plus 2 mm.
- Łączniki do betonu muszą być zgodne z wydaną ETA.

#### **4 System oceny i weryfikacji stałości właściwości użytkowych (AVCP) wraz z odniesieniem do jego podstawy prawnej**

##### **4.1 System AVCP**

Zgodnie z decyzją Komisji Europejskiej 97/808/WE z późniejszymi zmianami, zastosowanie ma system 2+ oceny i weryfikacji stałości właściwości użytkowych (patrz załącznik V do rozporządzenia (UE) nr 305/2011).

#### **5 Szczegóły techniczne niezbędne do wdrożenia systemu AVCP, przewidziane w odpowiednim Europejskim Dokumencie Oceny (EAD)**

Szczegóły techniczne niezbędne do wdrożenia systemu AVCP są zawarte w planie kontroli złożonym w ETA-Danmark przed nadaniem oznakowania CE.

Dokument wydany w Kopenhadze dn. 01.03.2024 r. przez

*/nieczytelny podpis odręczny/*

Thomas Bruun  
Dyrektor Naczelny, ETA-Danmark

## Załącznik A

### Opis wyrobu

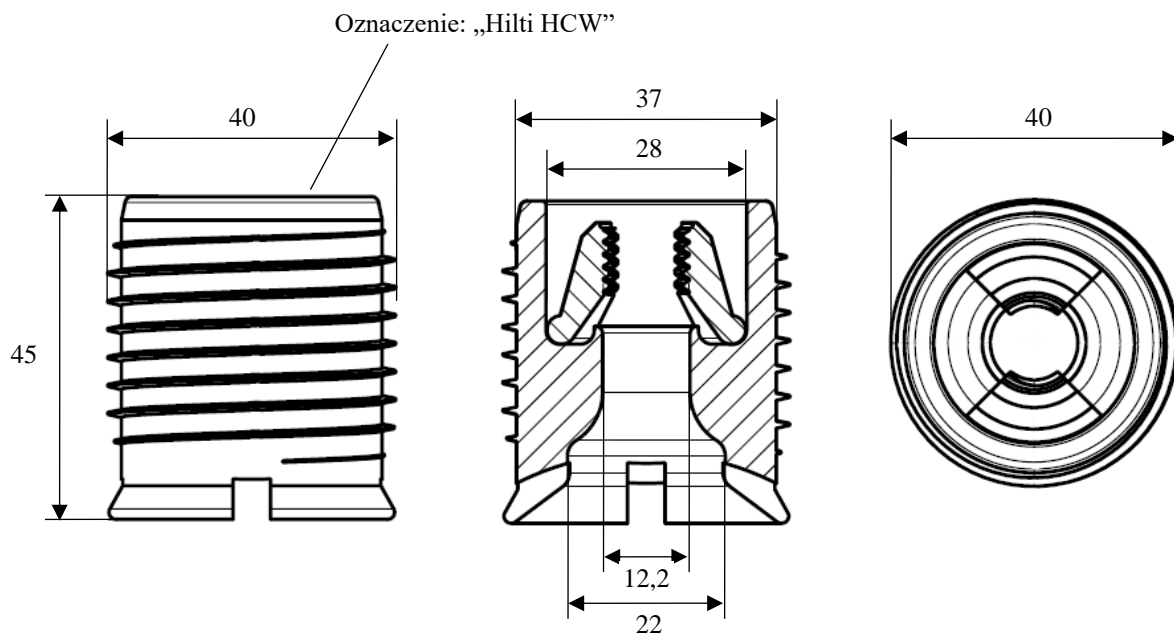
#### Hilti HCW

Średnica zewnętrzna: 40 mm

Średnica korpusu 37 mm

Długość: 45 mm

Materiał Tuleja: stal 11SMnPb30+C zgodnie z normą EN10277;  
element mocujący: stal 11SMnPb30, 16MnCrS5+C zgodnie z normą EN10277;  
Ocynkowana galwanicznie, grubość powłoki  $\geq 5 \mu\text{m}$   
(możliwe jest zastosowanie materiału równoważnego oraz dokumentowanie tego faktu w dokumentacji kontroli produkcji)

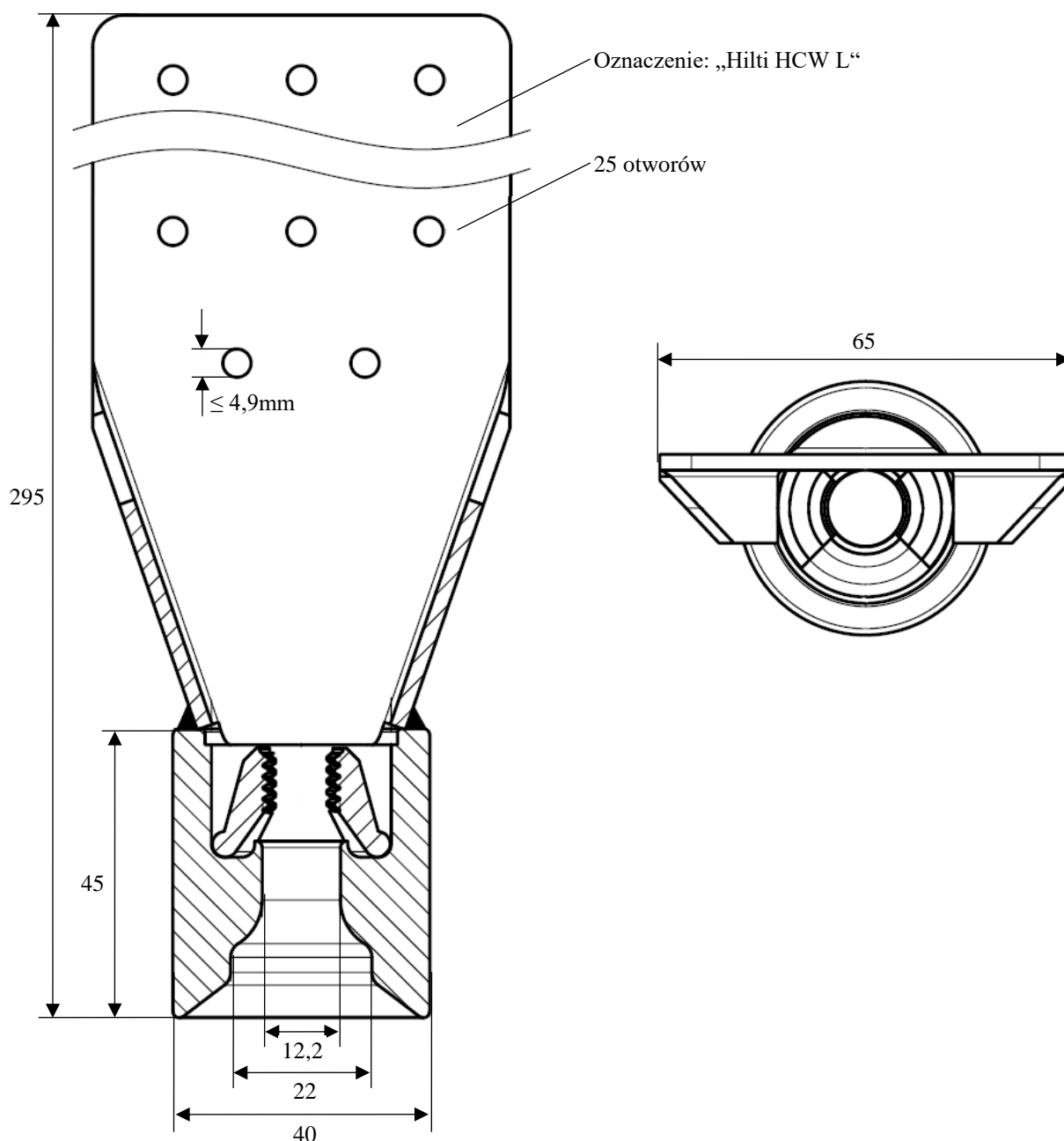


## Załącznik A

### Opis wyrobu

#### Hilti HCW L

Średnica zewnętrzna, tuleja:	40 mm	Szerokość, płytki	65 mm
Długość, tuleja:	45 mm	Grubość, płytki	2,5 mm
Długość	295 mm	Średnica otworu, płytki	≤ 4,9 mm
Materiał	Tuleja oraz płytki perforowana: stal S355J2 zgodnie z normą EN 10277 element mocujący: stal 16MnCrS5+C zgodnie z normą EN10277 Ocynkowana galwanicznie, grubość powłoki ≥ 5 μm (możliwe jest zastosowanie materiału równoważnego oraz dokumentowanie tego faktu w dokumentacji kontroli produkcji)		





## Załącznik A

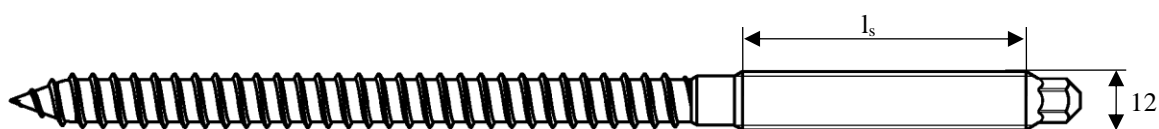
### Opis wyrobu

#### Typ łącznika:

- górna część wsuwana do elementu mocującego Hilti HCW oraz HCW L: gwint M12 (min.  $l_s = 40$  mm), wytrzymałość stali  $f_{u,k} \geq 400$  N/mm<sup>2</sup> lub materiał o klasie wytrzymałości 4.6 lub wyższej.
- dolna część: gwint do drewna zgodnie z ETA lub normą EN 14592 / połączenie ze stalą zgodnie z Eurokodem 3 / łącznik do betonu zgodnie z ETA

połączenie drewno – drewno

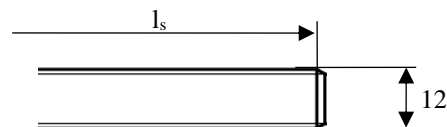
gwint do drewna zgodny z ETA lub normą EN 14592



np. Hilti HSW M12 ...  
z gwintem do drewna  
zgodnym z normą  
EN 14592

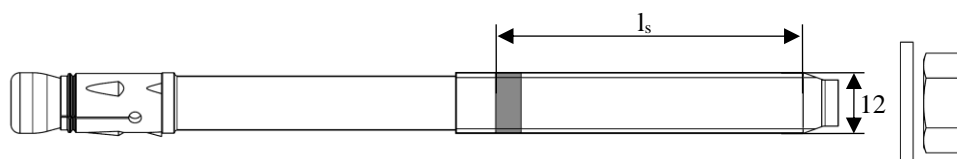
połączenie drewno – stal

Połączenie stali zgodne z Eurokodem 3



połączenie drewno – beton

Łącznik do betonu zgodny z ETA

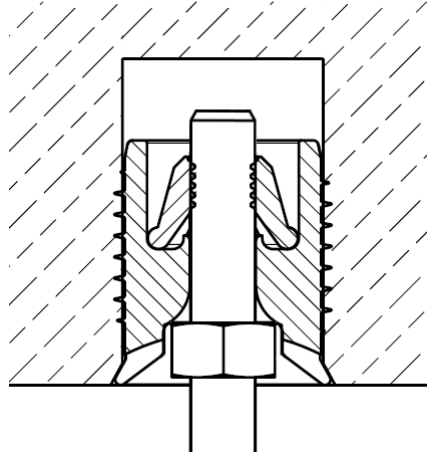


np. Hilti HST3 (ETA-98/0001)  
lub Hilti HAS-U z Hilti HIT-...

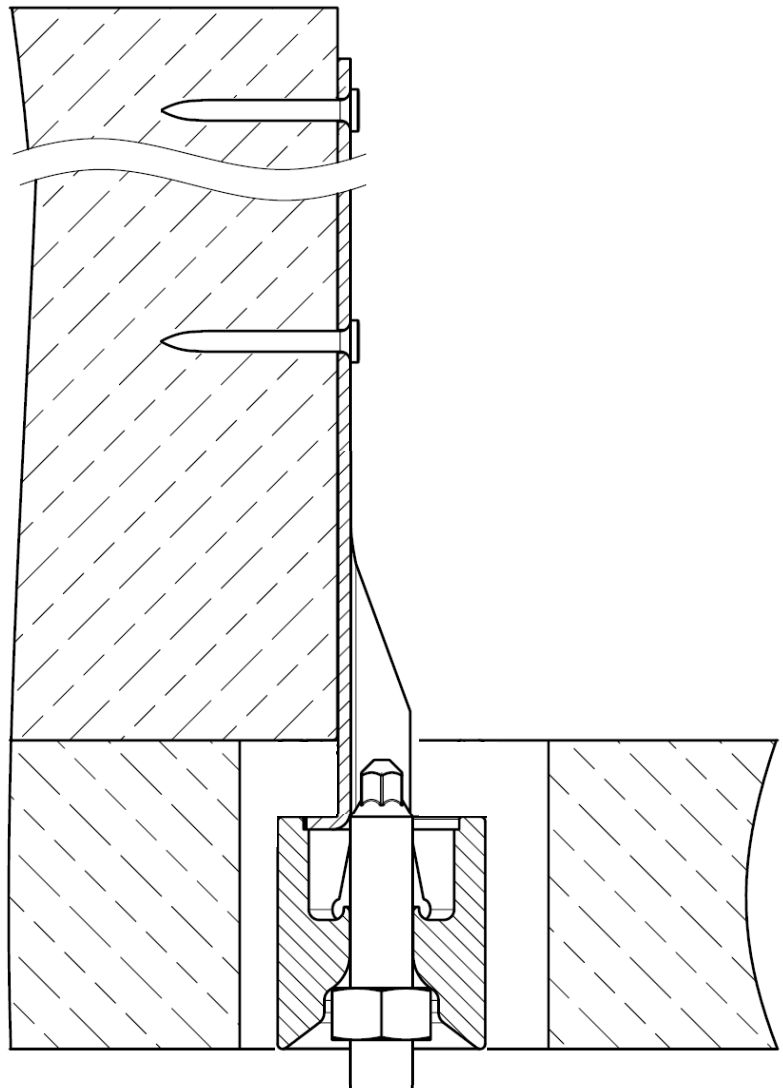
## Załącznik A

### Opis wyrobu

**Element Hilti HCW**  
z zamontowanym typem łącznika



**Element Hilti HCW L**  
z zamontowanym łącznikiem  
typem łącznika



## Załącznik B

### Zamierzone zastosowanie

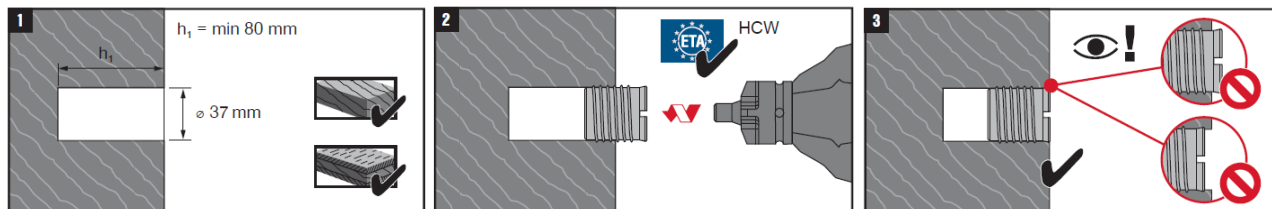
#### Parametry montażowe

		HCW
Średnica wstępnie wywierconego otworu (drewna iglaste i liściaste)	$d_0$	37 mm
Minimalna głębokość wiercenia	$h_1$	80 mm
Odległości od końca elementu ( $a_3$ ) oraz od krawędzi ( $a_4$ )	e...	Patrz Załącznik C, Tabela C.1 oraz Tabela C.2

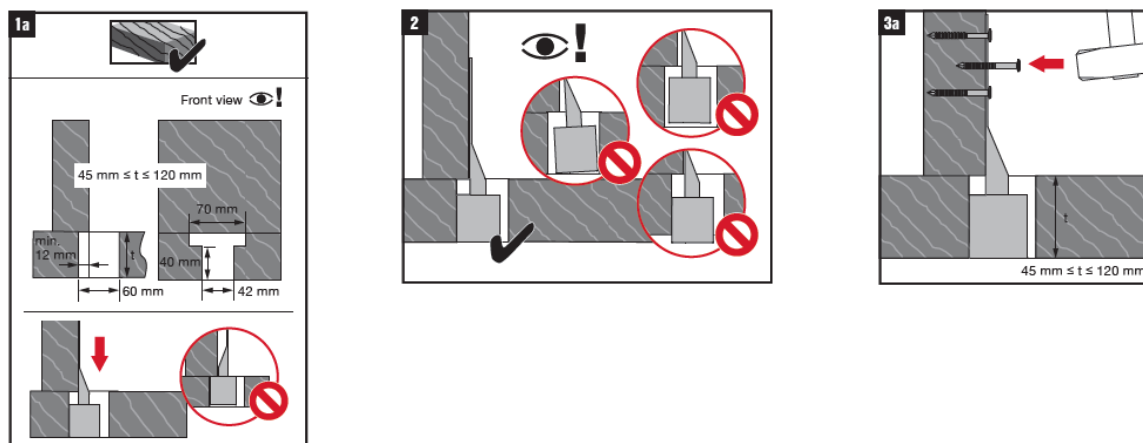
	HCW L
Średnica gwoździa/wkręta	$d = 4$ mm i długość $l = 50$ mm <sup>1)</sup> ; (gwoździe oraz wkręty zgodne z normą EN14592 lub ETA)
<sup>1)</sup> Dla innych typów i długości gwoździ należy wykonać obliczenia zgodnie z normą EN 1995-1-1.	

#### Instrukcja montażu elementów mocujących Hilti HCW oraz HCW L

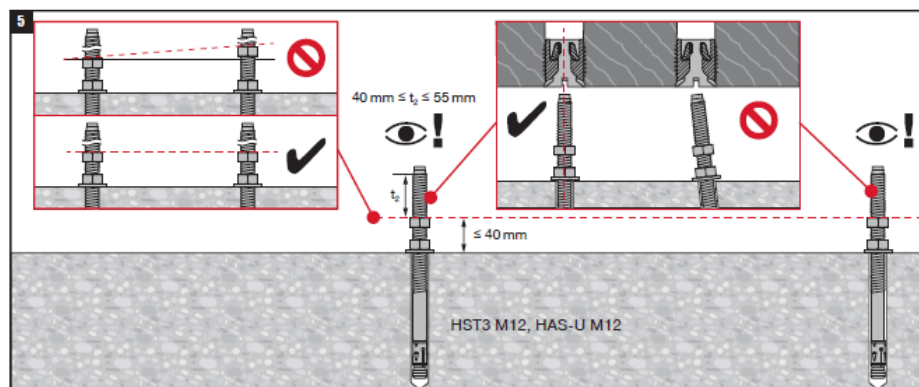
##### Osadzenie elementu HCW



##### Osadzenie elementu HCW L



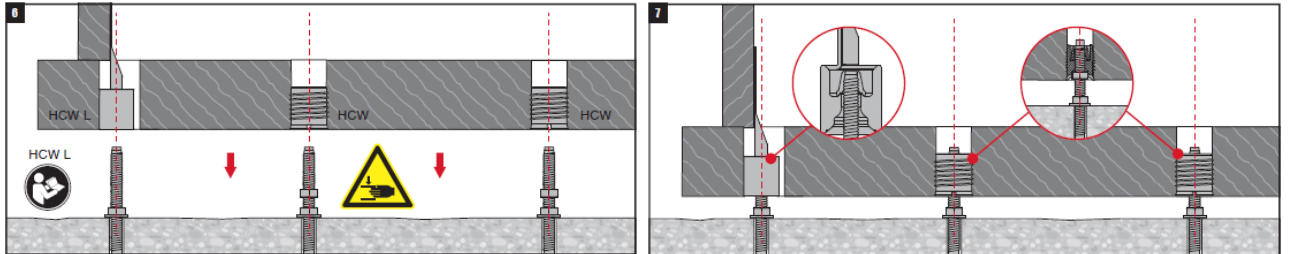
##### Poziomowanie łącznika



## Załącznik B

### Zamierzone zastosowanie

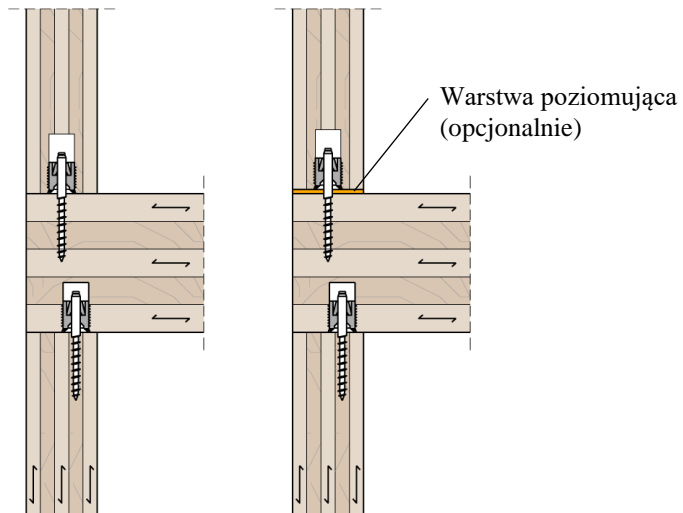
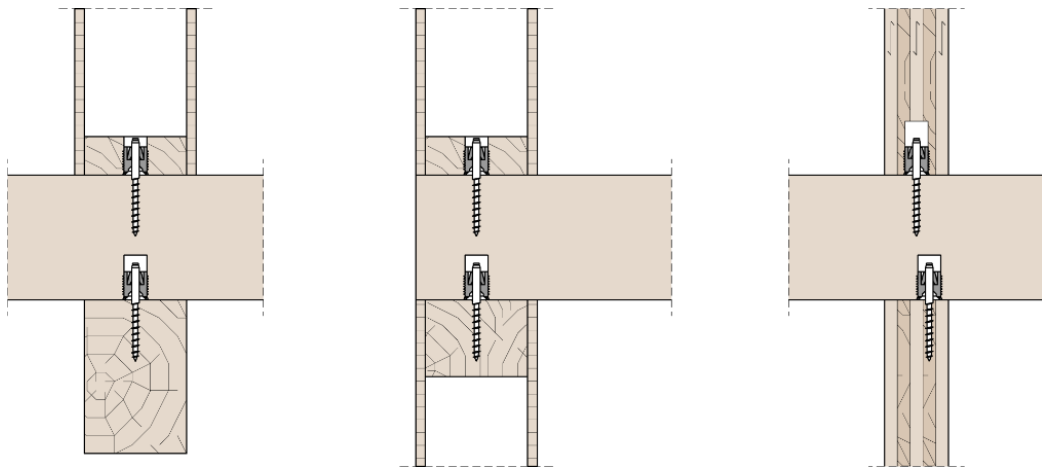
Wykonanie połączenia elementu HCW oraz HCW L z łącznikiem



### połączenie drewna z drewnem

Przedstawiono przykładowe przekroje elementów drewnianych (minimalny wymiar patrz Załącznik C)  
Wymiary elementów drewnianych należy dobrać na podstawie obliczeń statycznych

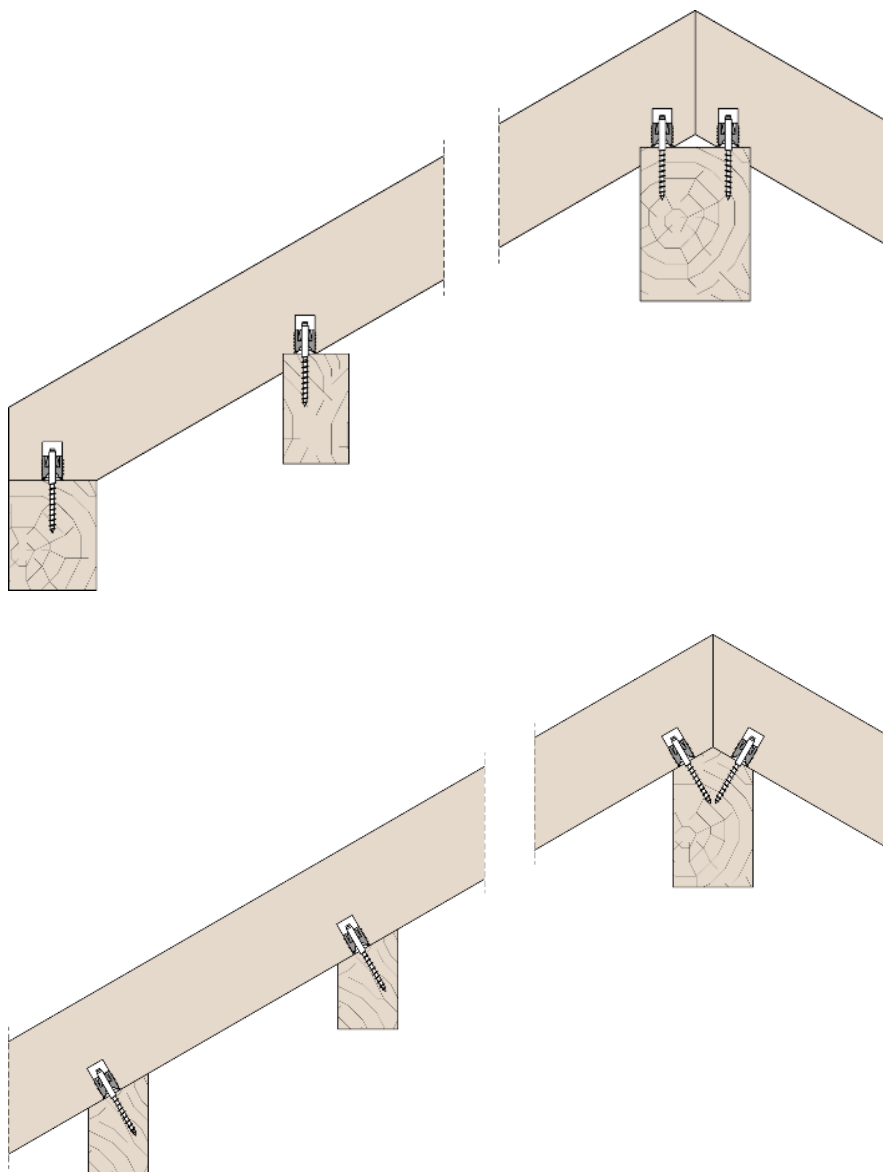
### Ściana



## Załącznik B

### Zamierzone zastosowanie

#### Dach



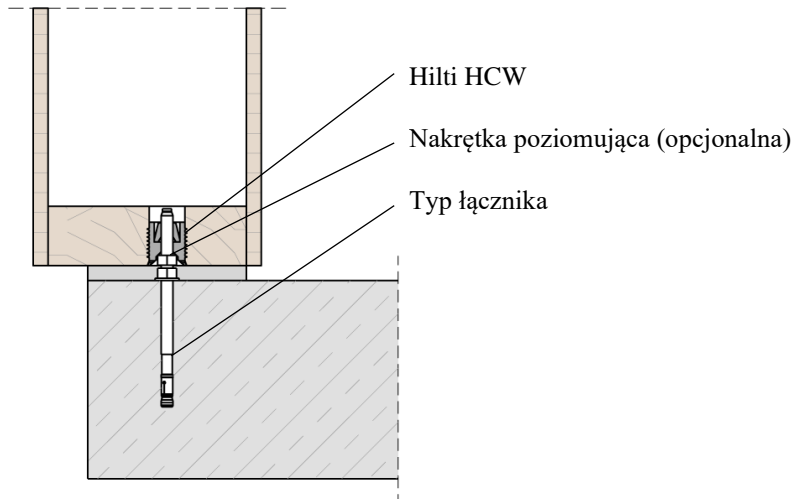
## Załącznik B

### Zamierzone zastosowanie

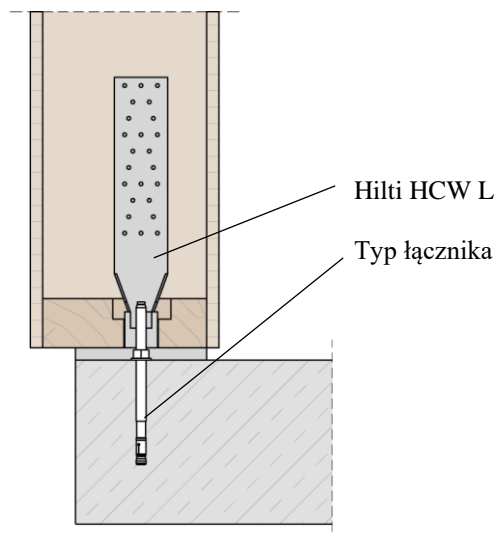
#### połączenie drewna z elementem betonowym

Przedstawiono przykładowe przekroje elementów drewnianych (minimalny wymiar patrz Załącznik C)  
Wymiary elementów drewnianych należy dobrać na podstawie obliczeń statycznych

#### Ściana – Hilti HCW



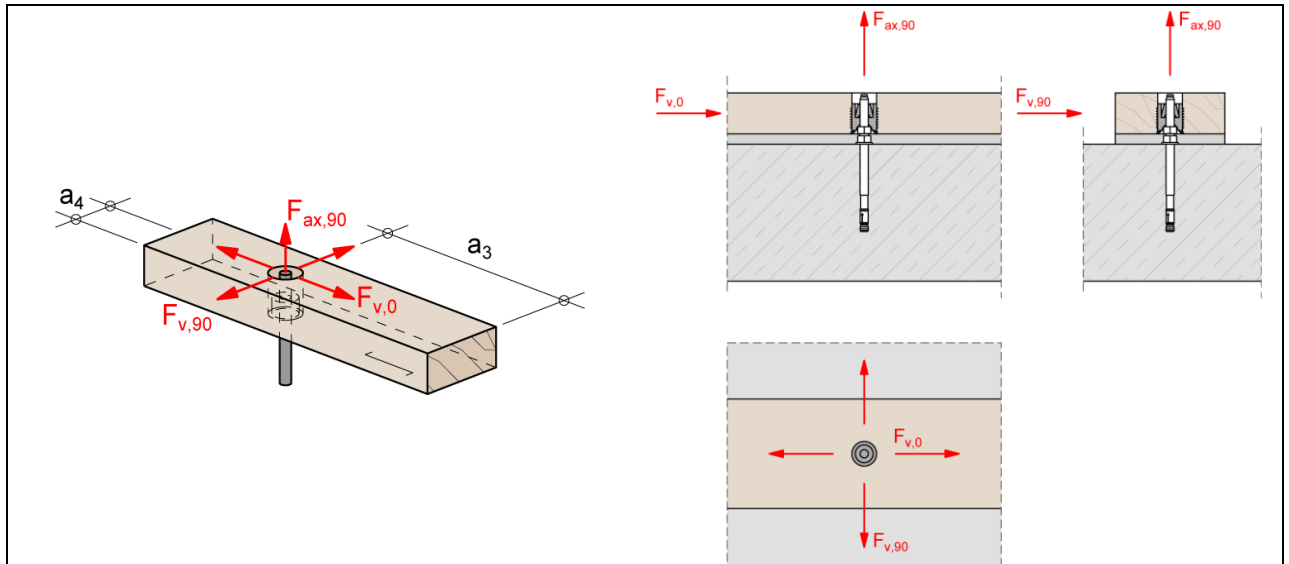
#### Ściana – Hilti HCW L



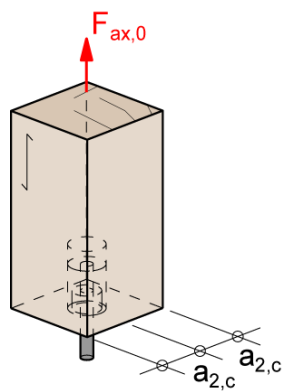
## Załącznik C

### Właściwości użytkowe

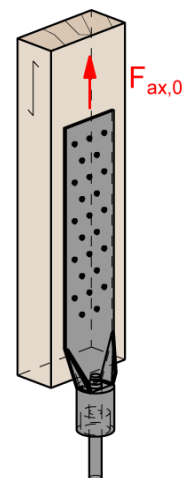
#### Ogólne informacje dotyczące kierunków obciążenia:



Przekrój  $\geq 80 \times 45 \text{ mm}^2$ , Odległości od końca elementu oraz od krawędzi, patrz Tabela C.1



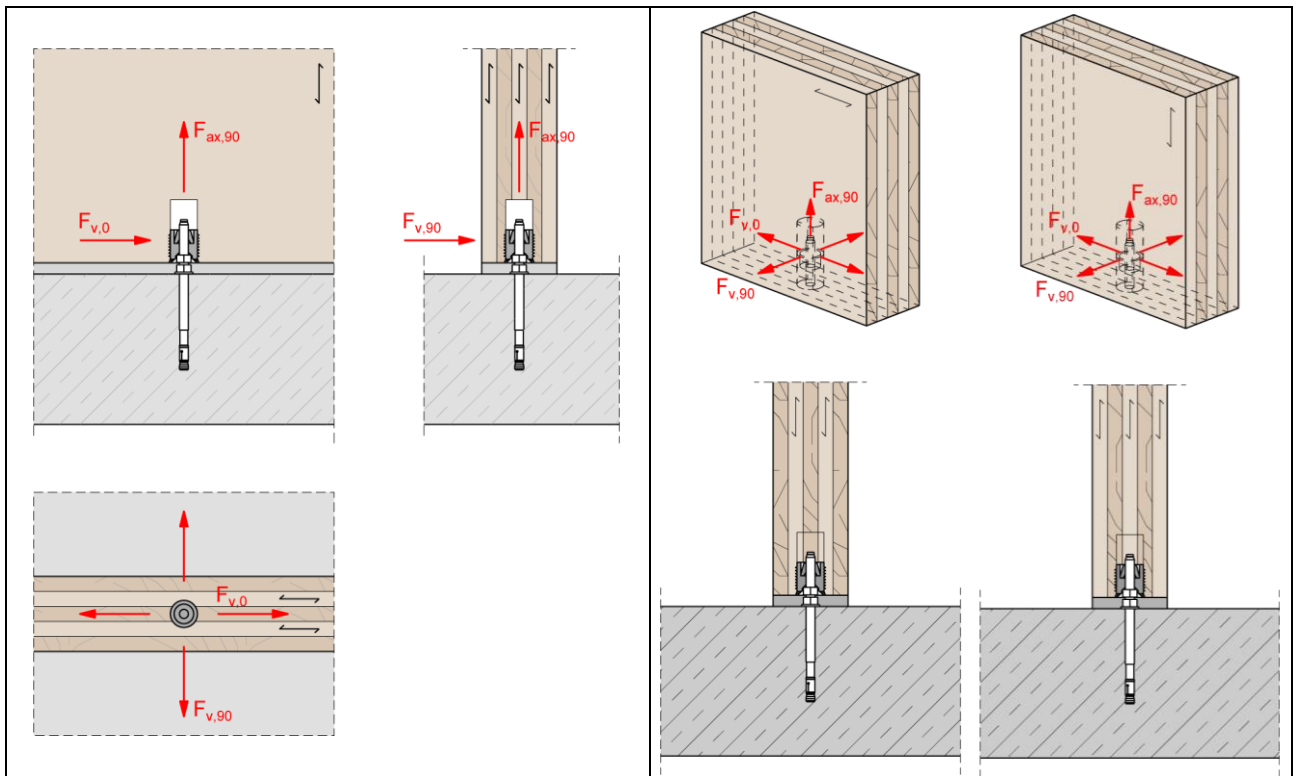
Przekrój słupa  $\geq 100 \times 100 \text{ mm}^2$   
Odległość od krawędzi  $\geq 50 \text{ mm}$



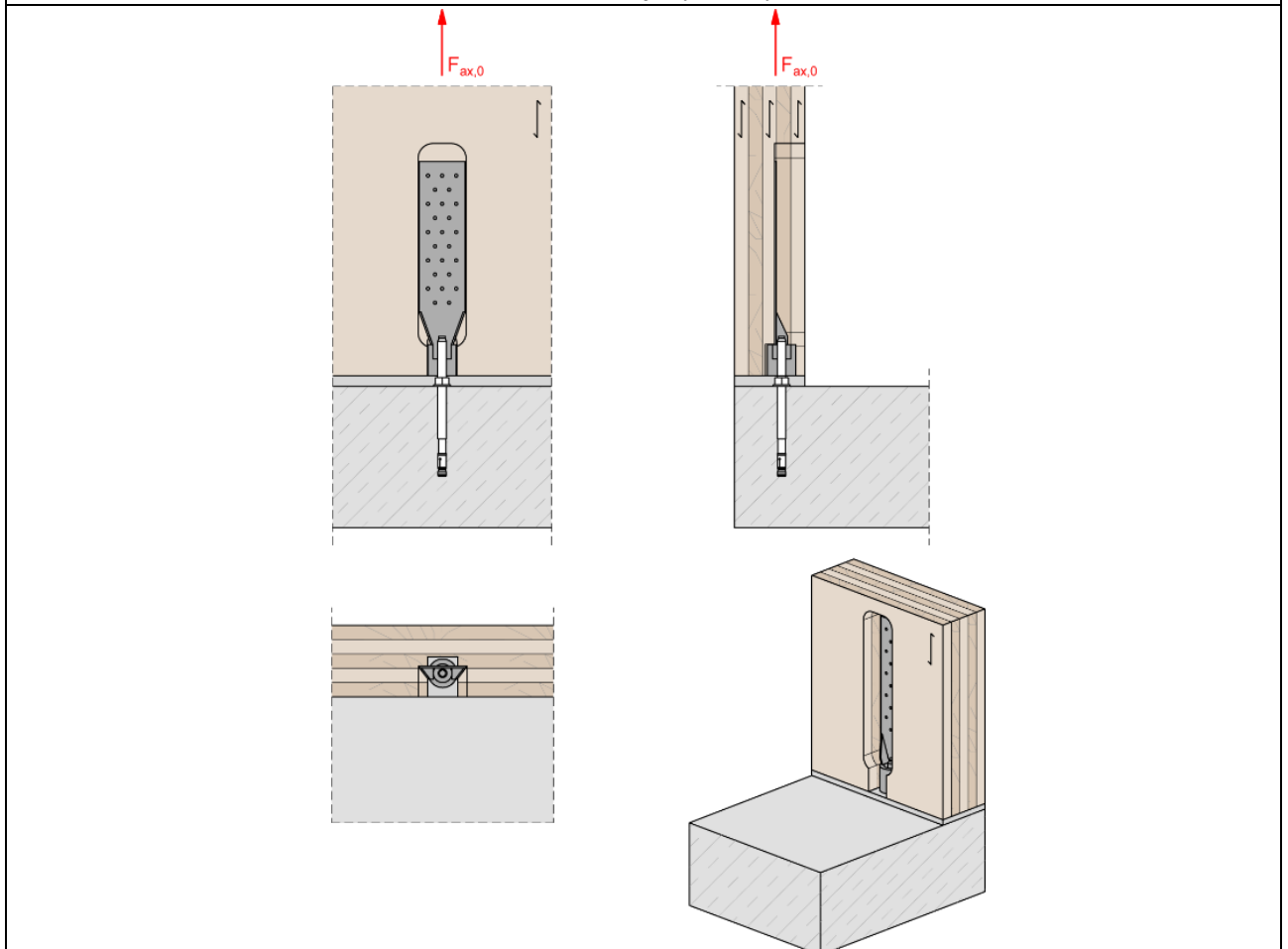
Przekrój  $\geq 80 \times 45 \text{ mm}$

### Załącznik C

### Właściwości użytkowe



Kierunek obciążenia w zastosowaniach z drewnem klejonym krzyżowo dla elementu HCW



Kierunek obciążenia w zastosowaniach z drewnem klejonym krzyżowo dla elementu HCW L



## Załącznik C

## Właściwości użytkowe

Tabela C.1: Nośności i moduły podatności dla drewna C24 oraz dla produktów z materiałów drewnopochodnych ( $\rho_k = 350 \text{ kg/m}^3$ ), np. CLT, GL 24 h/c

Parametr	Typ	Typ łącznika		Drewno		Nośności charakterystyczne [kN]	
		Gwoździe/ Wkręty	Pręt	Odległość od krawędzi (a <sub>4</sub> ) [mm]	Min. przekrój [mm <sup>2</sup> ]		
Wytrzymałość na rozciąganie	HCW/ HCW L	-	M12, 4.6 M12, 8.8	-		$F_{t,Rk}$	30,0
							42,0
Wytrzymałość osiowa	HCW L	15 gwoździ 25 gwoździ <sup>2)</sup>	M12, 8.8	-		$F_{ax,0,Rk}$	39,0
							45,0
Nośność na wyciąganie równoległe do kierunku włókien	HCW	-	M12, ≥ 4.6	≥ 50	100 x 100	$F_{ax,0,Rk}$	11,8
Nośność na wyciąganie prostopadłe do włókien	HCW	-	M12, ≥ 4.6	≥ 40 <sup>1)</sup>	45 x 80	$F_{ax,90,Rk}$	12,3
				≥ 50 <sup>1)</sup>	45 x 100		12,9
Wytrzymałość na ścinanie równoległe do kierunku włókien	HCW	-	M12, ≥ 4.6	≥ 40 <sup>1)</sup>	45 x 80	$F_{v,0,Rk}$	24,4
				≥ 50 <sup>1)</sup>	45 x 100		28,2
Wytrzymałość na ścinanie prostopadłe do kierunku włókien	HCW	-	M12, ≥ 4.6	≥ 40 <sup>1)</sup>	45 x 80	$F_{v,90,Rk}$	6,8
				≥ 50 <sup>1)</sup>	45 x 100		7,3
				≥ 70 <sup>1)</sup>	45 x 140		11,8 <sup>3)</sup>
				≥ 80 <sup>1)</sup>	45 x 140		14,8

Uwagi: <sup>1)</sup> Odległość od końca elementu ( $a_3$ ) wynosi  $\geq 200$  mm.

<sup>2)</sup> Dla innych typów, długości lub liczby gwoździ należy wykonać obliczenia zgodnie z normą EN 1995-1-1.

<sup>3)</sup> Nośność na ścinanie z naprężeniem prostopadłym do włókien, wzmocnienie poprzez 2 wkręty z pełnym gwintem o średnicy  $d = 8$  mm.

Tabela C.2: Nośności elementu HCW przy zmniejszonych odległościach od końca i krawędzi dla drewna C24 oraz dla produktów z materiałów drewnopochodnych ( $\rho_k = 350 \text{ kg/m}^3$ ), np. CLT, GL 24h/c:

Parametr	Typ	Typ łącznika		Drewno C24 Odległości ( $a_3$ ) i ( $a_4$ ) [mm]	Nośności charakterystyczne [kN]	
		Gwoździe/ Wkręty	Pręt gwintowany			
Nośność na wyciąganie prostopadłe do włókien	HCW	-	M12, ≥ 4.6	$a_3 \geq 50$ mm $a_4 \geq 50$ mm	$F_{ax,90,Rk}$	11,6
				$a_3 \geq 58$ mm $a_4 \geq 40$ mm	$F_{ax,90,Rk}$	6,6

## Załącznik C

## Właściwości użytkowe

Tabela C.3: Moduł podatności w stanie granicznym używalności (SLS) przy standardowych odległościach od końca i krawędzi dla drewna C24 oraz dla produktów z materiałów drewnopochodnych ( $\rho_k = 350\text{kg/m}^3$ ), np. CLT, GL 24h/c:

Parametr	Typ	Typ łącznika		Drewno C24		Moduł podatności ( $K_{ser}$ ) [kN/mm]	
		Gwoździe/wkręty	Pręt gwintowany	Odległość od krawędzi $a_4$ [mm]	Min. przekrój [mm <sup>2</sup> ]		
Nośność na wyciąganie równoległe do kierunku włókien	HCW	-	M12, $\geq 4.6$	$\geq 50$	100 x 100	$K_{ax,0,ser}$	15,0
Nośność na wyciąganie prostopadłe do włókien	HCW	-	M12, $\geq 4.6$	$\geq 40$	45 x 80	$K_{ax,90,ser}$	4,5
				$\geq 50$	45 x 100		7,9
Wytrzymałość na ścinanie równoległe do kierunku włókien	HCW	-	M12, $\geq 4.6$	$\geq 40$	45 x 80	$K_{v,0,ser}$	5,2
				$\geq 50$	45 x 100		5,5
Wytrzymałość na ścinanie prostopadłe do kierunku włókien	HCW	-	M12, $\geq 4.6$	$\geq 40$	45 x 80	$K_{v,90,ser}$	3,5
				$\geq 50$	45 x 100		4,0
				$\geq 70$	45 x 140		4,0
				$\geq 80$	45x 140		4,0

## Załącznik C

## Właściwości użytkowe

## C.1 Nośności złączy dla łączników drewno-drewno

## C.1.1 Siły działające osiowo (wyciąganie)

$$F_{ax,Rd} = \min \left\{ \begin{array}{l} \frac{k_{mod} \cdot F_{ax,Rk}}{\gamma_M} \\ \frac{F_{t,Rk}}{\gamma_{M,2}} \\ \frac{k_{mod} \cdot F_{ax,Rk,DT}}{\gamma_M} \\ \frac{F_{t,Rk,DT}}{\gamma_{M,2}} \end{array} \right.$$

$F_{ax,Rk}$  ... patrz Tabela C.1, nośność charakterystyczna na wyciąganie

$F_{t,Rk}$  ... patrz Tabela C.1, zniszczenie stali elementu Hilti HCW oraz HCW L

$F_{ax,Rk,DT}$ ,  $F_{t,Rk,DT}$  ... nośność na wyciąganie oraz nośność stali łącznika typu kołek (patrz DoP zgodnie z normą EN 14592 / ETA)

$k_{mod}$  oraz  $\gamma_M$  ... patrz norma EN 1995-1-1

$\gamma_{M,2}$  ... patrz norma EN 1993-1-1

$F_{ax,0,Rk}$  w Tabeli C.1 dla Hilti HCW ma zastosowanie wyłącznie dla klas trwania obciążenia krótkotrwałego (np. obciążenie wiatrem) oraz chwilowego. Dla wszelkich pozostałych dłuższych klas trwania obciążenia zgodnych z normą EN 1995-1-1:

- Dla kątów  $0^\circ \leq \alpha \leq 45^\circ$  pomiędzy osią wkręta oraz kierunkiem włókien drewna, wartość  $F_{ax,k,\alpha}$  jest wyznaczana ze wzoru:

$$f_{ax,k,\alpha} = k_{ax} \cdot f_{ax,k,90^\circ} \quad \text{with: } k_{ax} = 0,3 + \frac{0,7 \cdot \alpha}{45^\circ}$$

- Dla kątów  $45^\circ \leq \alpha \leq 90^\circ$  pomiędzy osią wkręta oraz kierunkiem włókien drewna, wartość  $F_{ax,k,\alpha}$  jest stała.

$\alpha$  ... kąt pomiędzy kierunkiem włókien oraz osią wkręta;  $\alpha = 0^\circ$  przekrój poprzeczny,  $\alpha = 90^\circ$  przekrój podłużny

$F_{ax,Rk}$  dla elementu drewnianego o klasie wytrzymałości niższej lub wyższej niż klasa C24: konieczne jest zastosowanie rozdziału 8.7 normy EN 1995-1-1.

$$F_{Rk,\rho_a} = \left( \frac{\rho_k}{\rho_a = 350} \right)^{0,8} \cdot F_{Rk}$$

$\rho_a$  ... odpowiednia gęstość charakterystyczna w  $\text{kg/m}^3$  dla klasy wytrzymałości różnej od klasy C24

## Załącznik C

### Właściwości użytkowe

#### C.1.2 Siły ścinające

$$F_{v,Rd} = \min \left\{ \begin{array}{l} \frac{k_{mod} \cdot F_{v,Rk}}{\gamma_M} \\ \frac{k_{mod} \cdot F_{v,Rk;DT}}{\gamma_M} \end{array} \right.$$

$F_{v,Rk}$  ... patrz Tabela C.1

$F_{v,Rk;DT}$  ... nośność na ścinanie łącznika typu kołek należy obliczyć zgodnie z normą EN1995-1-1

$k_{mod}$  oraz  $\gamma_M$  ... patrz norma EN1995-1-1

Efektywna liczba elementów Hilti HCW:  $n_{ef} = n$  dla  $a_1 \geq 400$  mm w kierunku podłużnym włókien.

#### C.2 Nośności złączy ze śrubami (połączenie stali)

Dla elementów Hilti HCW oraz HCW L połączonych z elementem stalowym przy użyciu śrub, obliczenie nośności połączenia opiera się na:

- Należy zastosować wartości  $K_{ser}$  oraz  $F_{Rk}$  z Tabeli C.1 oraz z Tabeli C.2

$$F_{v,Rd} = \left\{ \frac{k_{mod} \cdot F_{v,Rk}}{\gamma_M} \right.$$

$F_{v,Rk}$  ... patrz Tabela C.1

Dla elementów Hilti HCW oraz HCW L połączonych z elementem drewnianym przy użyciu śrub lub nakrętek łączących obliczenie nośności połączenia uwzględnia poniższe:

- Należy zastosować wartości  $K_{ser}$  oraz  $F_{Rk}$  z Tabeli C.1 oraz z Tabeli C.2
- Zastosowane śruby lub nakrętki łączące należy zawsze rozmieszczać w sposób analogiczny do rozmieszczenia zastępowanych wkrętów; wartości charakterystyczne dla śrub lub nakrętek łączących należy obliczyć zgodnie z normą EN 1995-1-1 lub zgodnie z ETA produktu
- Do śrub konieczne jest zastosowanie podkładek o odpowiedniej średnicy
- Statyka połączenia jest taka sama, jak dla połączenia drewna z drewnem przy użyciu wkrętów. Nośności wkrętów w równaniach C.1. należy zastąpić odpowiednimi nośnościami śrub

##### C.2.1 Siły działające jednocześnie

W przypadku działających jednocześnie sił ścinających i rozciągających konieczne jest przeprowadzenie następujących weryfikacji:

- Pomiędzy HCW a elementem drewnianym opisanym w rozdziale C.4, oraz
- Pomiędzy łącznikiem i materiałem podłoża, jakim jest stal, obowiązują postanowienia zgodne z normą EN 1993-1-1.

## Załącznik C

## Właściwości użytkowe

## C.3 Nośności złączy dla łączników do betonu (połączenie łącznikiem kotwowym)

## C.3.1 Siły działające osiowo

$$F_{ax,Rd} = \min \left\{ \begin{array}{l} \frac{k_{mod} \cdot F_{ax,Rk}}{\gamma_M} \\ \frac{F_{t,Rk}}{\gamma_{M,2}} \\ \min N_{Rd} \end{array} \right.$$

$F_{ax,Rk}$	... patrz Tabela C.1, nośność charakterystyczna na wyciąganie
$k_{mod}$ oraz $\gamma_M$	... patrz norma EN1995-1-1
$F_{t,Rk}$	... patrz Tabela C.1, zniszczenie stali elementu Hilti HCW oraz HCW L
$\gamma_{M,2}$	... patrz norma EN1993-1-1
$\min N_{Rd}$	... decyduje nośność na rozciąganie łącznika do betonu (obliczona zgodnie z normą EN 1992-4)

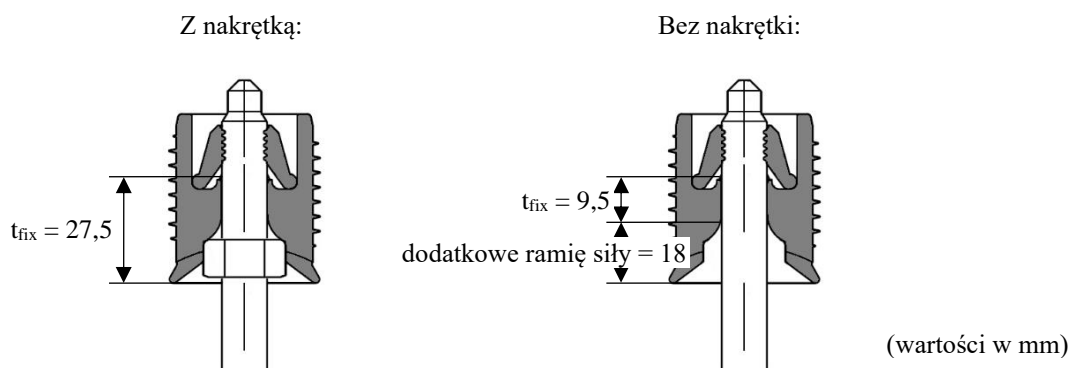
## C.3.2 Siły ścinające:

$$F_{v,Rd} = \min \left\{ \begin{array}{l} \frac{k_{mod} \cdot F_{v,Rk}}{\gamma_M} \\ \min V_{Rd} \end{array} \right.$$

$F_{v,Rk}$	... patrz Tabela C.1
$k_{mod}$ oraz $\gamma_M$	... patrz norma EN1995-1-1
$\min V_{Rd}$	... decyduje nośność na ścinanie łącznika do betonu (obliczona zgodnie z normą EN 1992-4)

Należy wziąć pod uwagę wymagane minimalne odległości od krawędzi oraz rozstawy łączników do betonu.

Dla obciążeń ścinających działających na zastosowany łącznik do betonu należy zastosować poniższe wartości jako  $t_{fix}$ :



## C.3.3 Siły działające jednocześnie

W przypadku działających jednocześnie sił ścinających i rozciągających konieczne jest przeprowadzenie następujących weryfikacji:

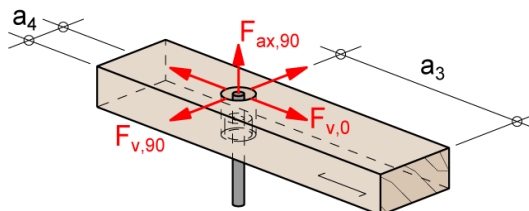
- Pomiędzy HCW a elementem drewnianym opisanym w rozdziale C.4, oraz
- Pomiędzy łącznikiem i materiałem podłoża, jakim jest beton, obowiązują postanowienia zgodne z normą EN 1992-4.

## Załącznik C

## Właściwości użytkowe

## C.4 Siły działające jednocześnie (z HCW na element drewniany)

W przypadku działających jednocześnie sił ścinających i rozciągających przenoszonych z HCW na element drewniany należy przeprowadzić następującą weryfikację:



$$\left(\frac{F_{ax,90,Ed}}{F_{ax,90,Rd}}\right)^2 + \left(\frac{F_{v,0,Ed}}{F_{v,0,Rd}}\right)^2 + \left(\frac{F_{v,90,Ed}}{F_{v,90,Rd}}\right)^2 \leq 1$$

gdzie:

$$F_{ax,90,Rd} = \frac{k_{mod} \cdot F_{ax,90,Rk}}{\gamma_M}$$

$F_{ax,90,Rk}$  ... patrz Tabela C.1, nośność charakterystyczna na wyciąganie

$k_{mod}$  oraz  $\gamma_M$  ... patrz norma EN1995-1-1

$$F_{v,0,Rd} = \frac{k_{mod} \cdot F_{v,0,Rk}}{\gamma_M}$$

$F_{v,0,Rk}$  ... patrz Tabela C.1

$k_{mod}$  oraz  $\gamma_M$  ... patrz norma EN1995-1-1

$$F_{v,90,Rd} = \frac{k_{mod} \cdot F_{v,90,Rk}}{\gamma_M}$$

$F_{v,90,Rk}$  ... patrz Tabela C.1

$k_{mod}$  oraz  $\gamma_M$  ... patrz norma EN1995-1-1

## C.5 Zachowanie pod wpływem oddziaływań sejsmicznych i klasy ciągliwości łączników

## C.5.1 Klasy ciągliwości

W zależności od ich plastyczności i zdolności do rozpraszania energii podczas oddziaływań sejsmicznych, budynki drewniane powinny być przypisane do klasy ciągliwości (DC) zgodnie z normą EN 1998. Aby użyć łącznika HCW i HCW L do projektowania konstrukcji narażonych na oddziaływania sejsmiczne, należy przyjąć klasyfikację podaną w tabeli C.4.1.

Tabela C.4.1: Klasy ciągliwości

Typ HCW	Typ łącznika	Pręt gwintowany	Kierunek obciążenia	Plastyczność statyczna	Koncepcja projektowa i klasy ciągliwości zgodnie z normą EN 1998-1
HCW L	W pełni przybity (25 gwoździ)	M12 ≤ 8.8	$F_{ax,0}$	2	DCL
	Częściowo przybity (15 gwoździ)			4	DCM
HCW	-	M12 ≤ 8.8	$F_{ax,90}$	2	DCL
			$F_{v,0}$	4	DCM

*Uwaga: Należy uwzględnić koncepcje projektowe zgodnie z normą EN 1998. Ograniczenia geograficzne dotyczące stosowania klas ciągliwości M można znaleźć w odpowiednim Załączniku krajowym.*